

Recommended D-Sub Connector Panel Cutouts

4

3

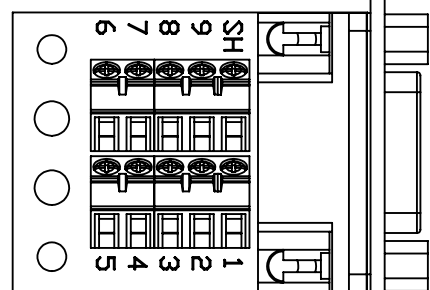
2

1

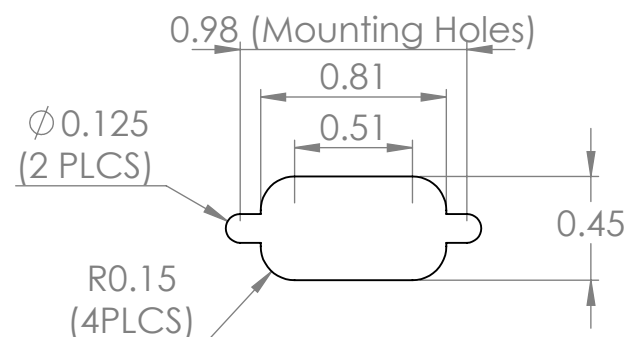
B

B

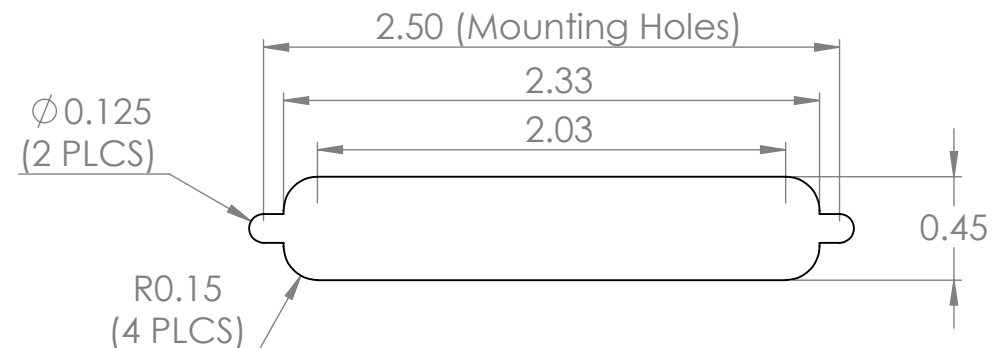
0.062 Max
Panel
Thickness



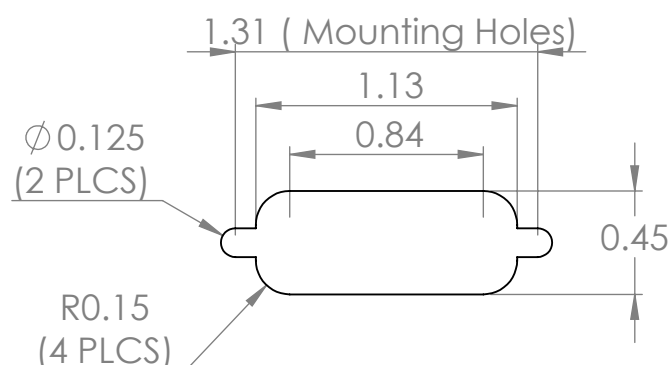
DB9/DB15HD Panel Cutout



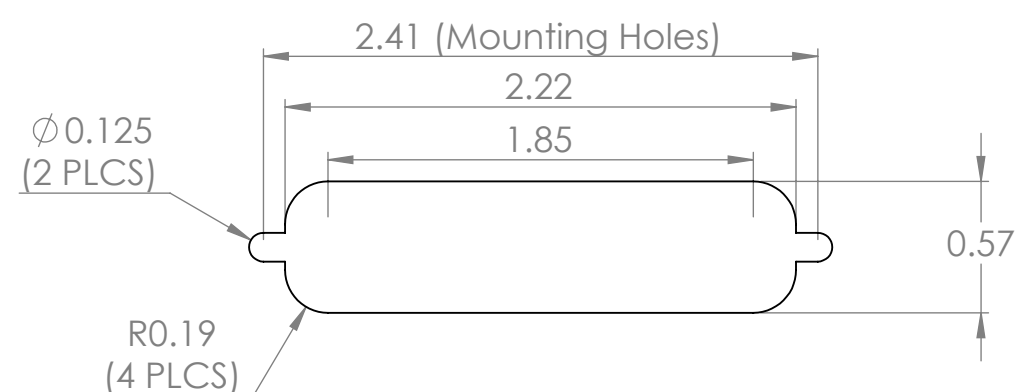
DB37/DB62HD Panel Cutout



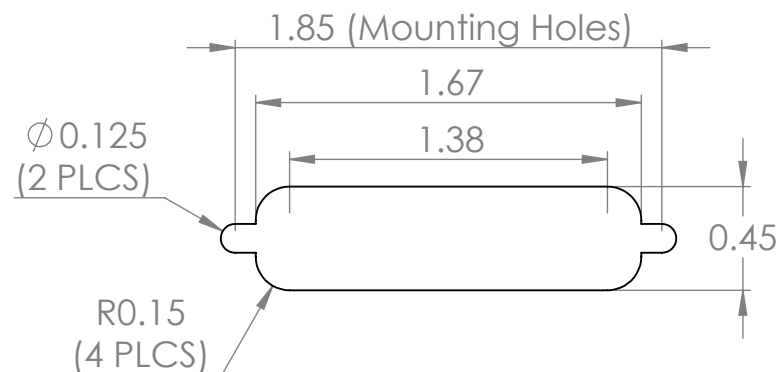
DB15/DB26HD Panel Cutout



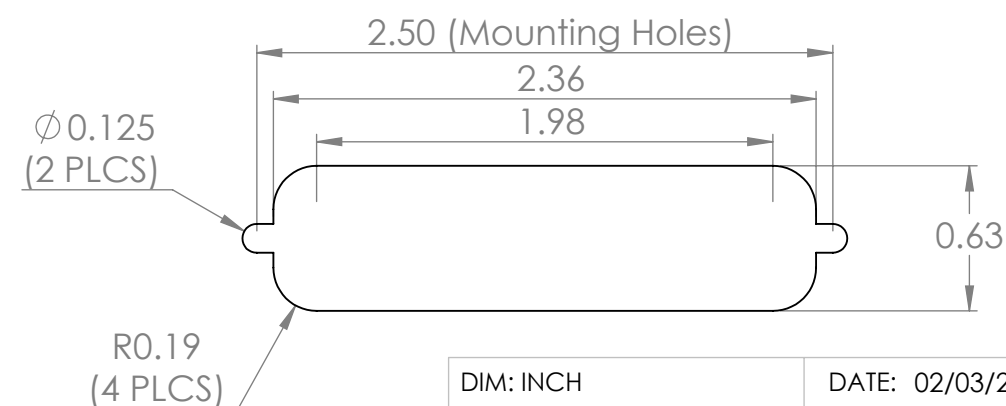
DB50/DB78HD Panel Cutout



DB25/DB44HD Panel Cutout



DB104HD Panel Cutout



NOTE: Depending on the situation and the size of the board being mounted, many boards will need mechanical support in addition to the panel mounting.

DIM: INCH

DATE: 02/03/2022



WINFORD ENGINEERING, LLC
4561 GARFIELD ROAD
AUBURN, MI 48611

www.winford.com

989-671-9721

4

3

2

1

A

A