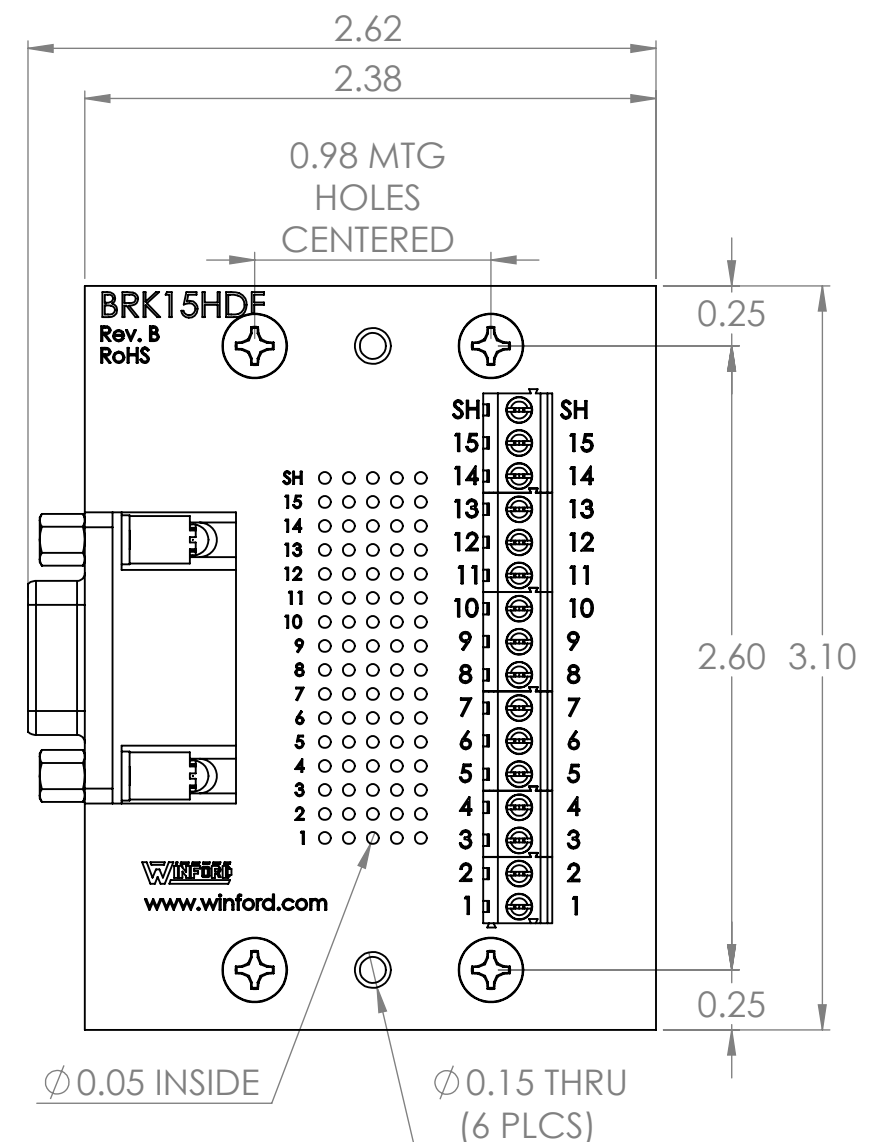
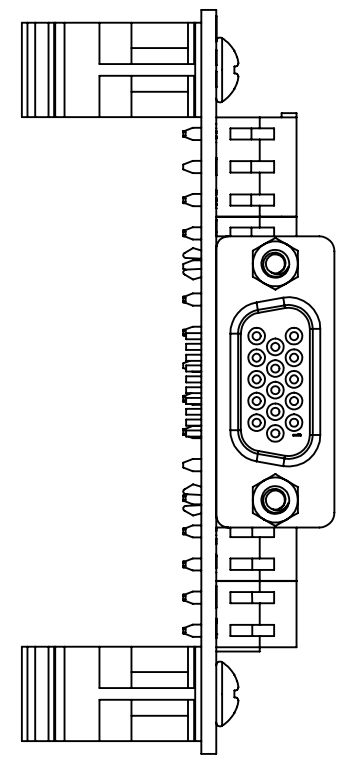


4

3

2

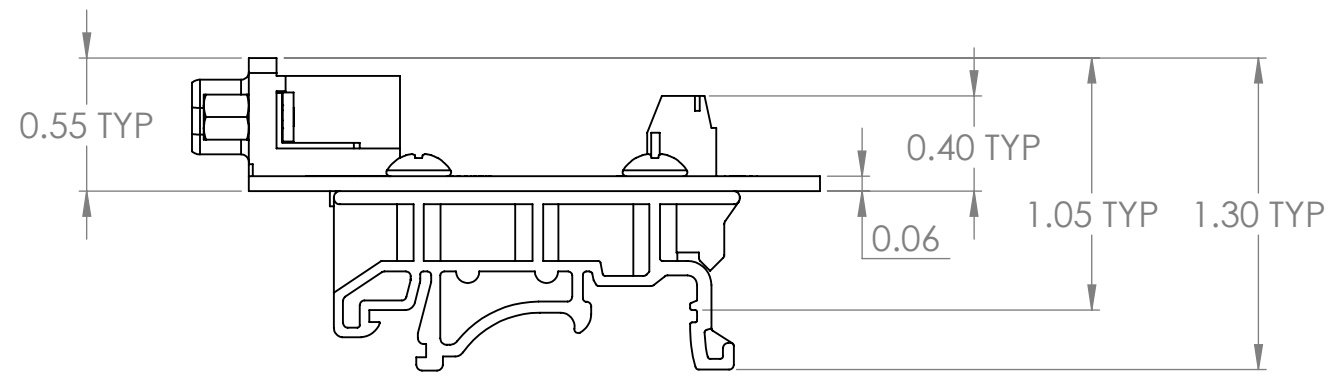
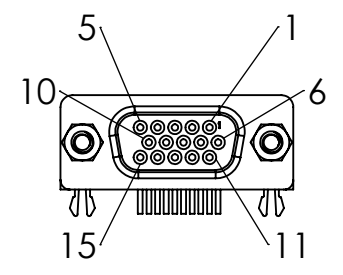
1



B


B

Connector Pinout



A

A

| | | | | |
|---|------------------|--|--|--|
| DIM: INCH | DATE: 11/19/2020 | RoHS COMPLIANT: YES | DESCRIPTION: DB15 HD Female Screw Terminal Breakout Board | |
|  | | WINFORD ENGINEERING, LLC 4561 GARFIELD ROAD AUBURN, MI 48611 | PART NUMBER (S) BRK15HDF-R-DIN | |
| www.winford.com | | 989-671-9721 | PART REVISION B | |

4

3

2

1