

4

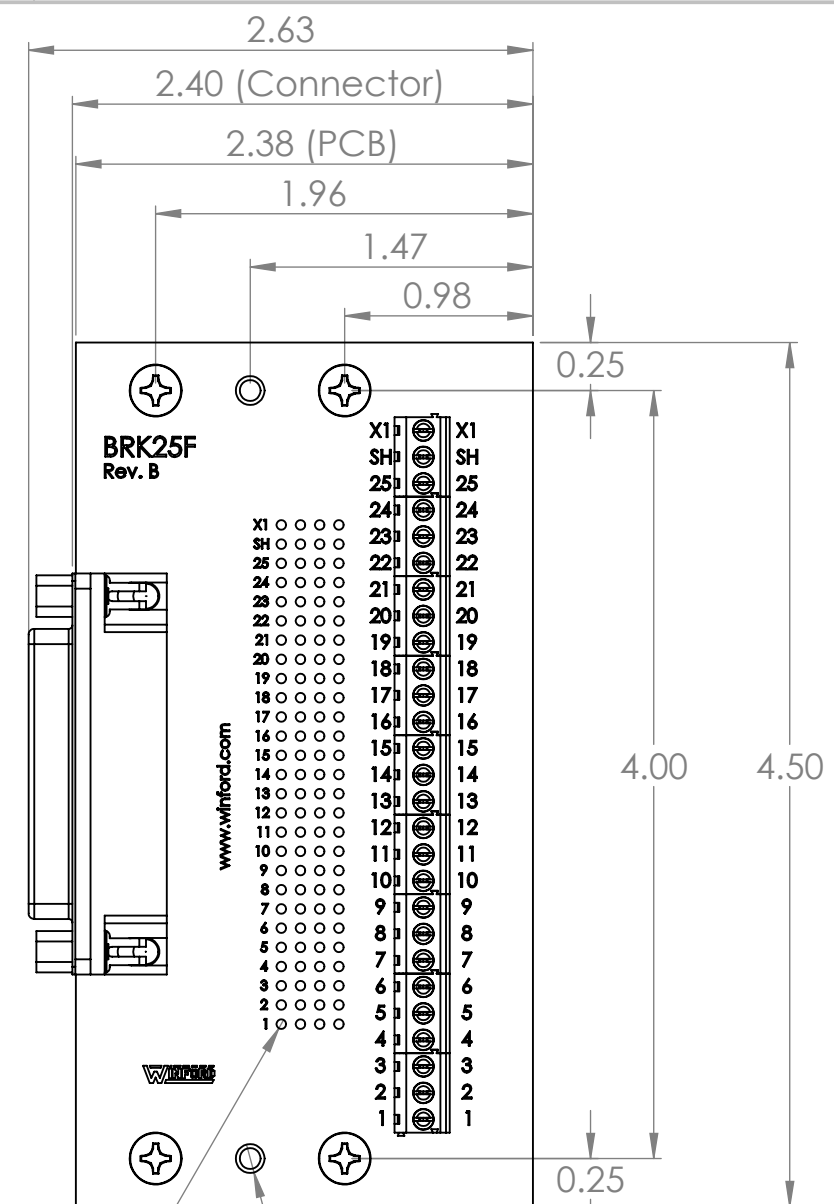
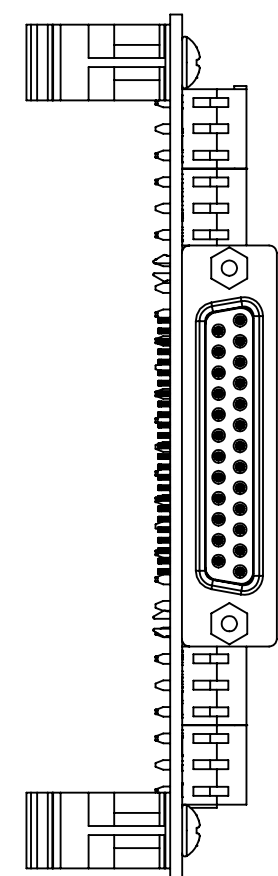
3

2

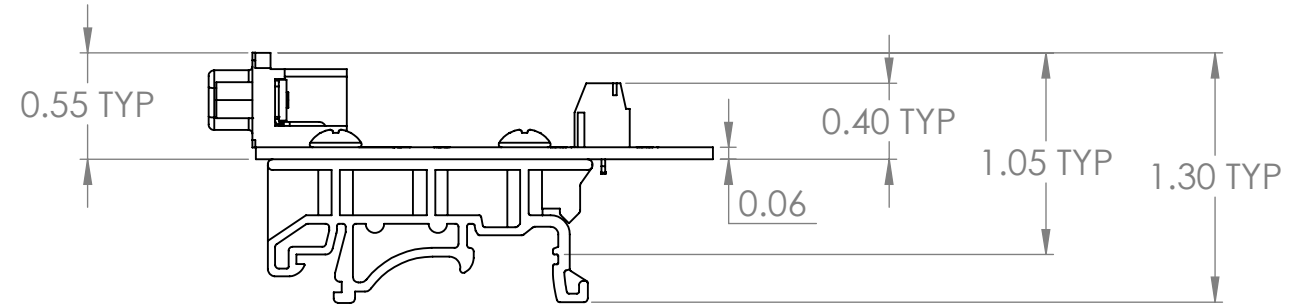
1

B

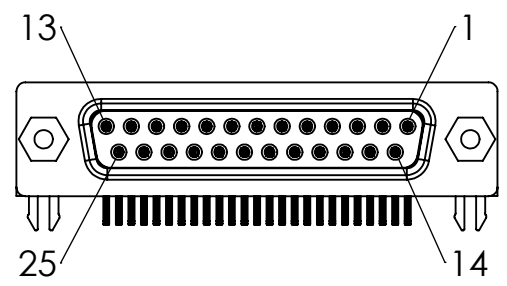
B



Ø 0.05 INSIDE
Ø 0.15 THRU (6 PLCS)



Connector Pinout



4


3

2

1

A

A

DIM: INCH	DATE: 05/26/2021	RoHS COMPLIANT: Yes	DESCRIPTION: DB25 Female Screw Terminal Breakout Board
		WINFORD ENGINEERING, LLC 4561 GARFIELD ROAD AUBURN, MI 48611	PART NUMBER (S) BRK25F-R-DIN
www.winford.com		989-671-9721	PART REVISION B