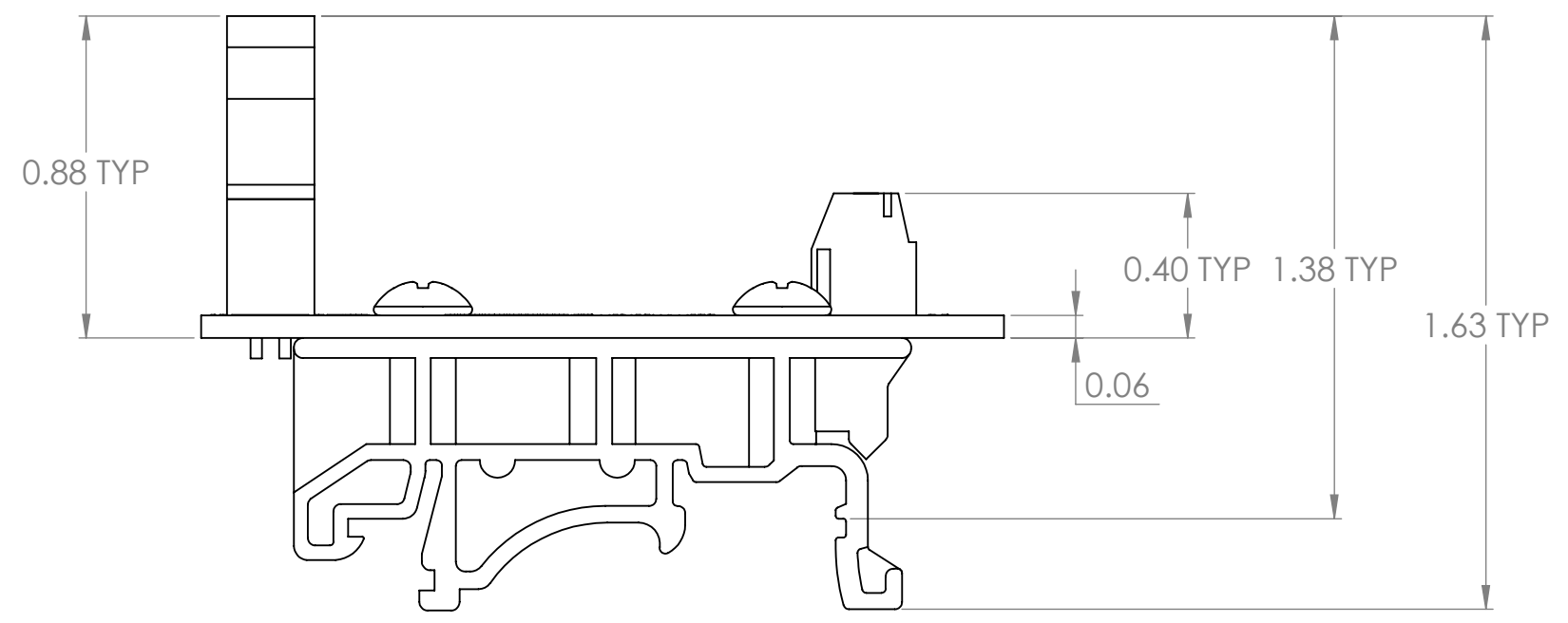
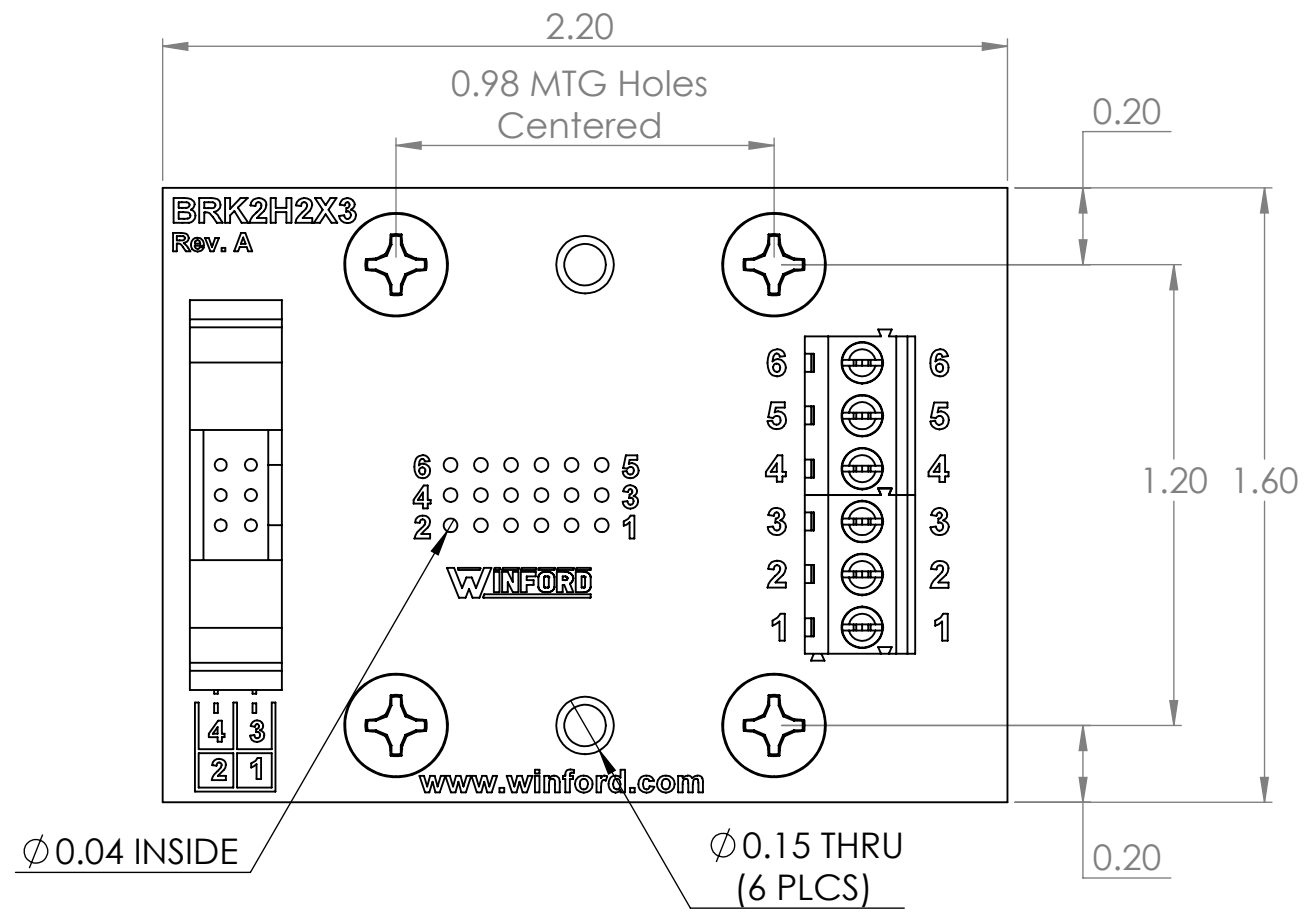
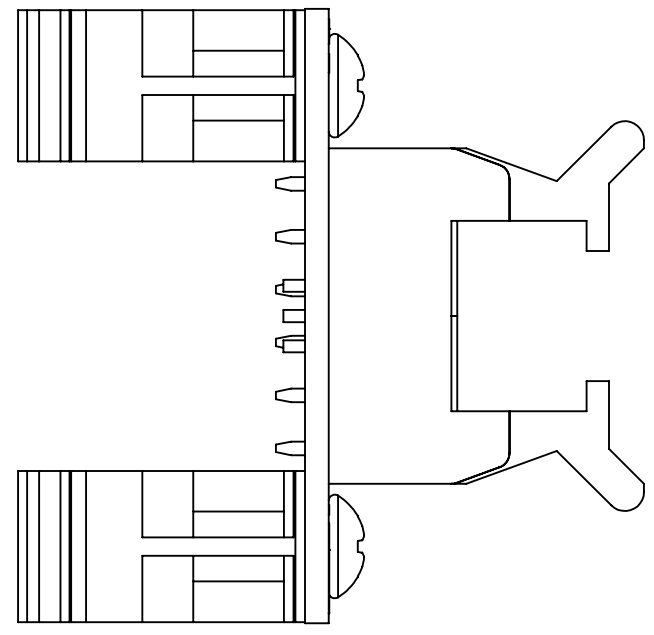


4

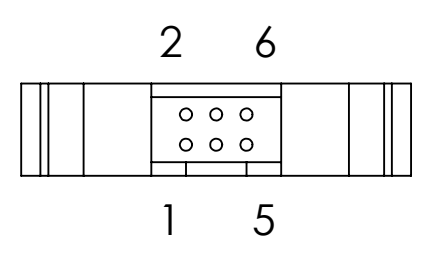
3

2

1



Connector Pinout



DIM: INCH	DATE: 08/17/2022	RoHS COMPLIANT: Yes	DESCRIPTION:
			2x3 2mm Header Breakout
WINFORD ENGINEERING, LLC 4561 GARFIELD ROAD AUBURN, MI 48611		PART NUMBER (S) BRK2H2X3-L-DIN	PART REVISION A
www.winford.com	989-671-9721		

4

3

2

1

B

B

A

A