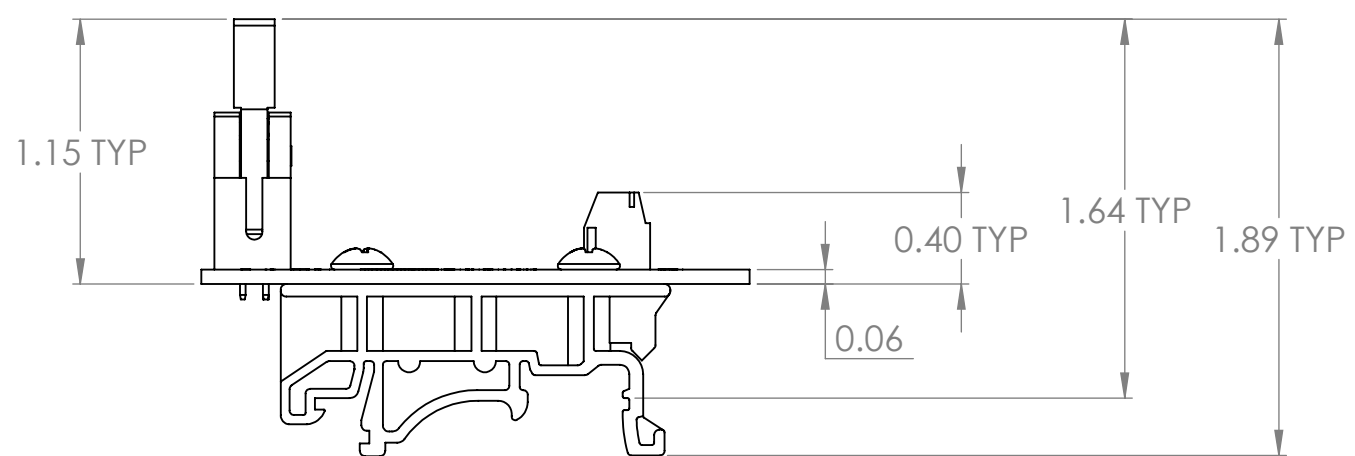
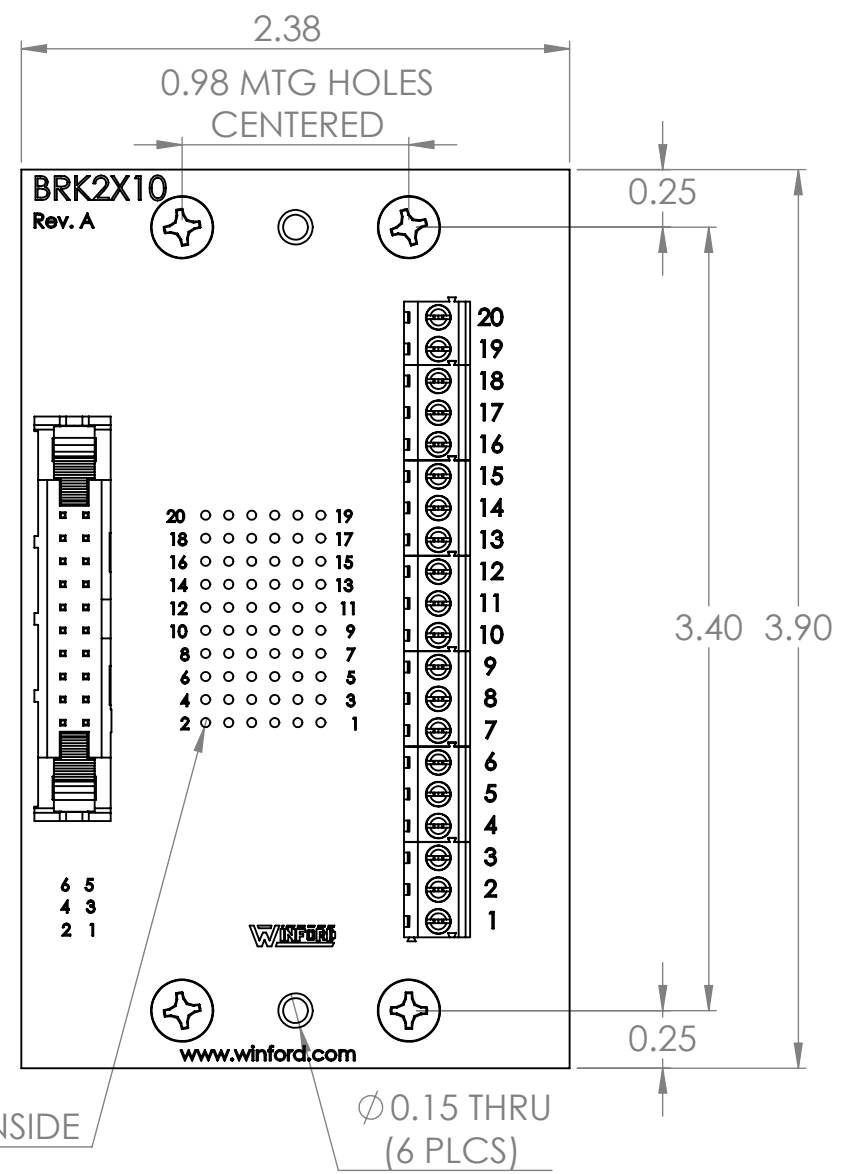
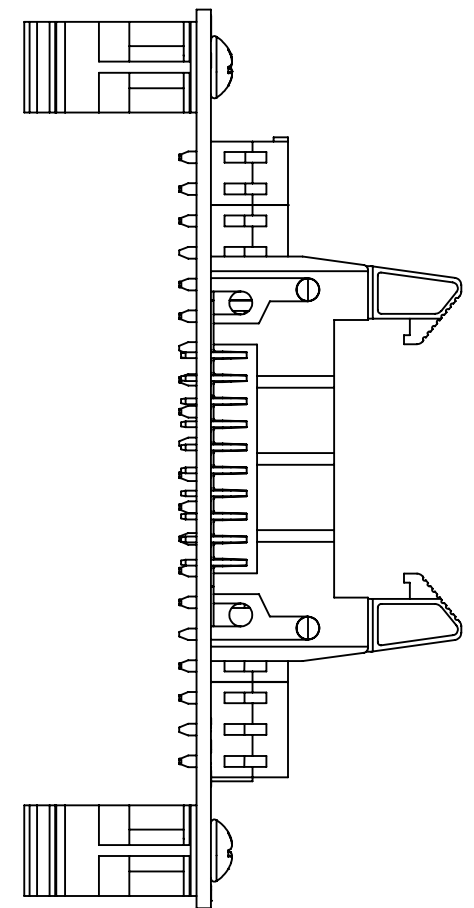


4

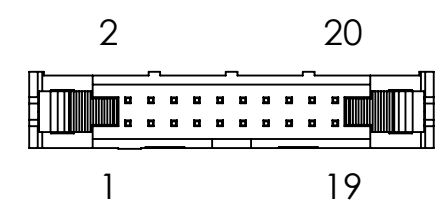
3

2

1



Connector Pinout



DIM: INCH	DATE: 07/02/2021	RoHS COMPLIANT: Yes	DESCRIPTION:
			2x10 0.1" Header Breakout Board
www.winford.com		4561 GARFIELD ROAD AUBURN, MI 48611 989-671-9721	PART NUMBER (S) BRK2X10-L-DIN
			PART REVISION A

4

3

2

1

B

B

A

A