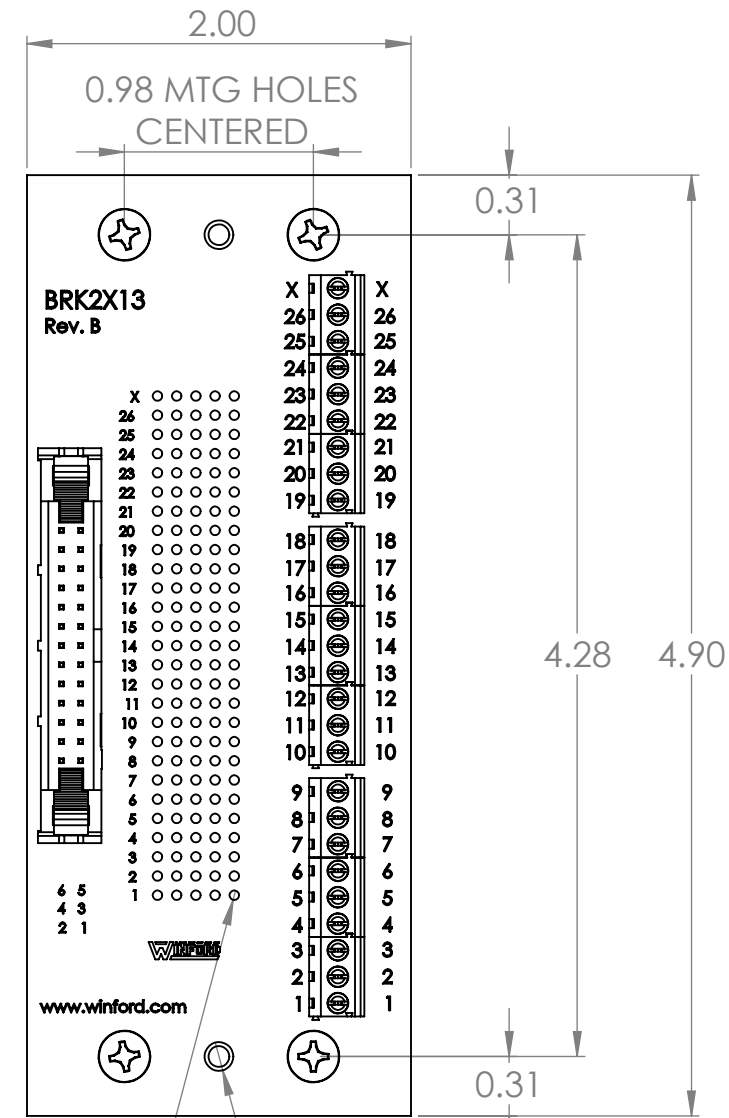
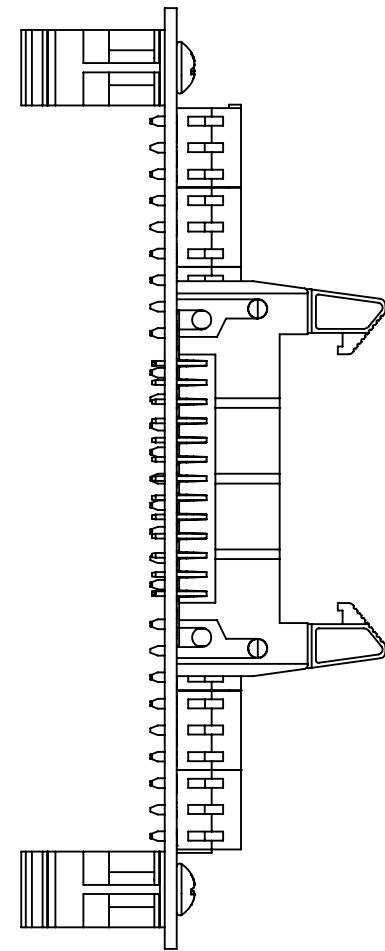


4

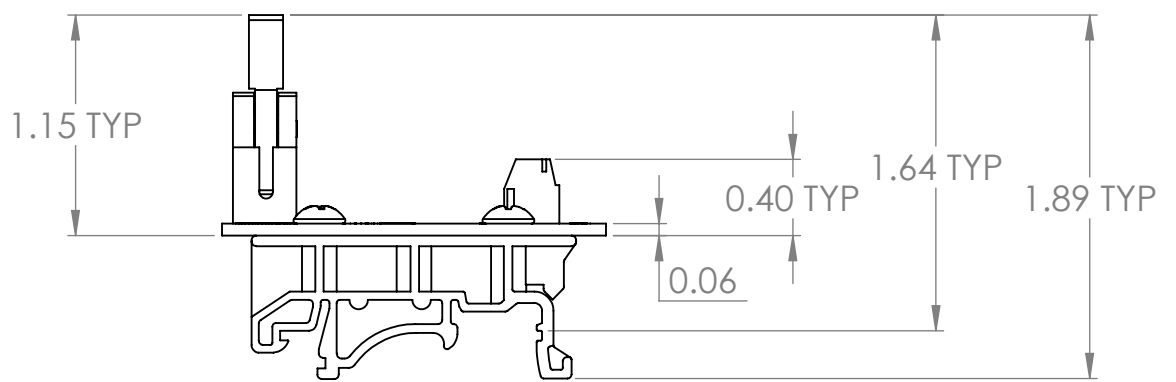
3

2

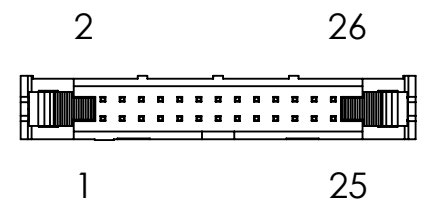
1




Ø0.05 INSIDE      Ø0.15 THRU (6 PLCS)



Connector Pinout



DIM: INCH	DATE: 07/07/2021	RoHS COMPLIANT: Yes	DESCRIPTION:
 WINFORD ENGINEERING, LLC 4561 GARFIELD ROAD AUBURN, MI 48611			2x13 0.1" Header Breakout Board
www.winford.com		989-671-9721	PART NUMBER (S)
			BRK2X13-L-DIN
			PART REVISION
			B

4

3

2

1

B

B

A

A