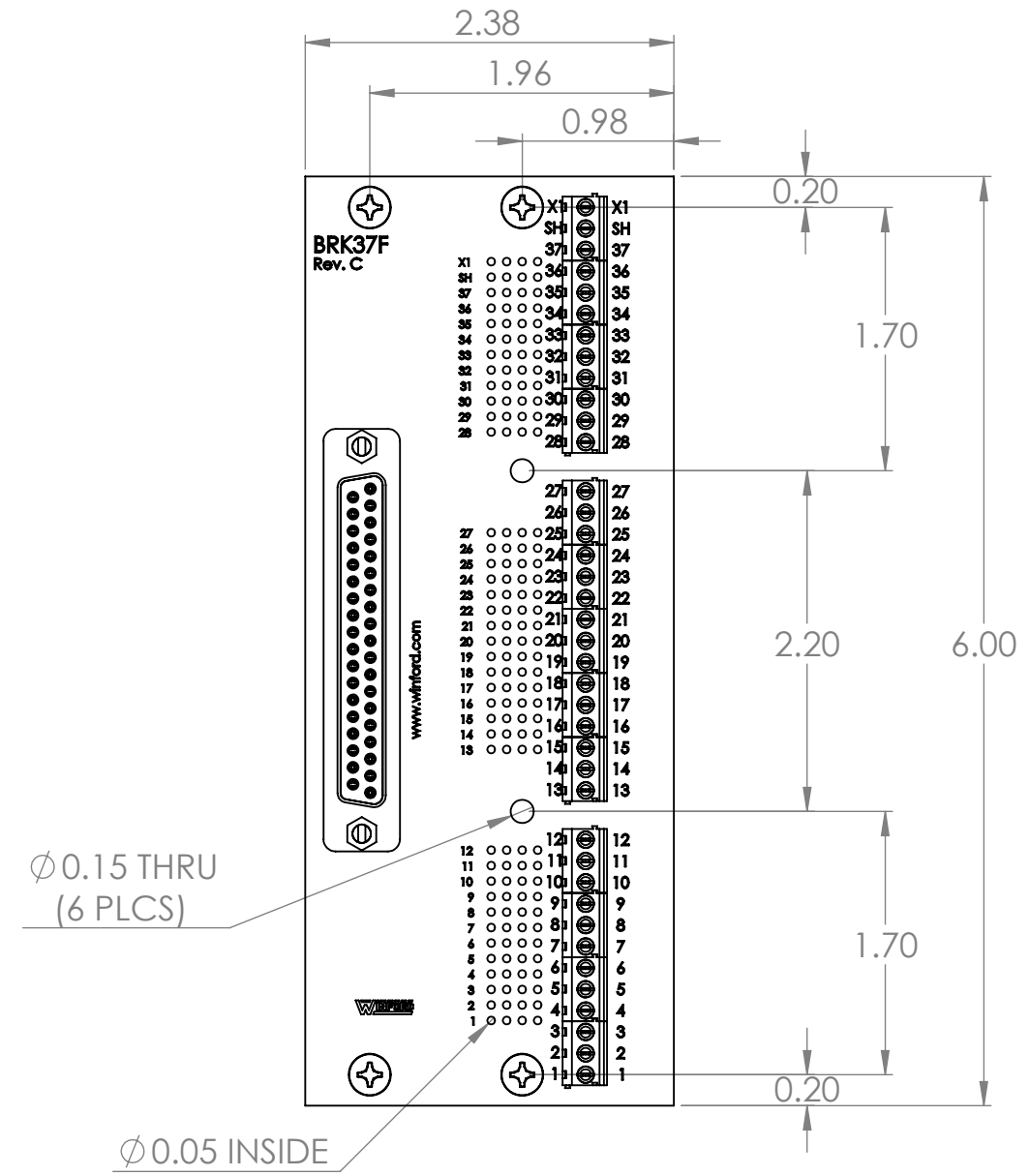
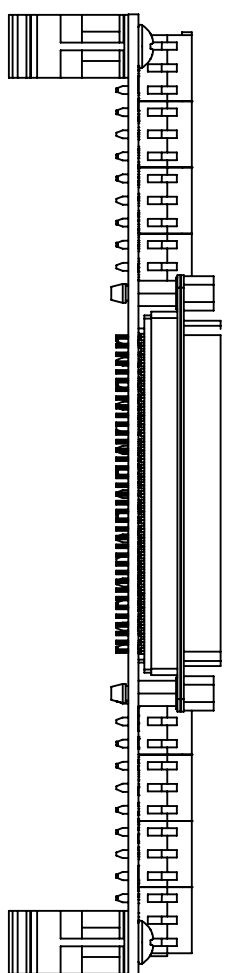


4

3

2

1



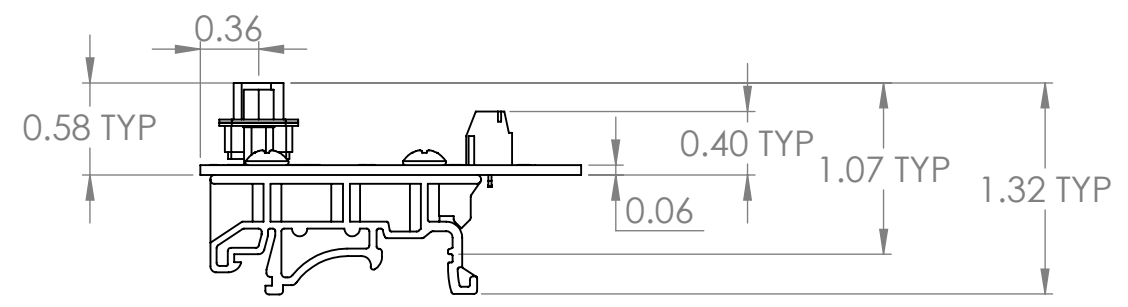
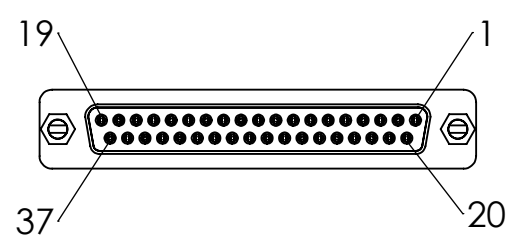
B


B

A

A

Connector Pinout



DIM: INCH	DATE: 08/06/2021	RoHS COMPLIANT: Yes	DESCRIPTION:
 WINFORD ENGINEERING, LLC 4561 GARFIELD ROAD AUBURN, MI 48611			DB37 Female Screw Terminal Breakout Board
www.winford.com		989-671-9721	PART NUMBER (S)
			BRK37F-S-DIN
			PART REVISION
			C

4

3

2

1