

4

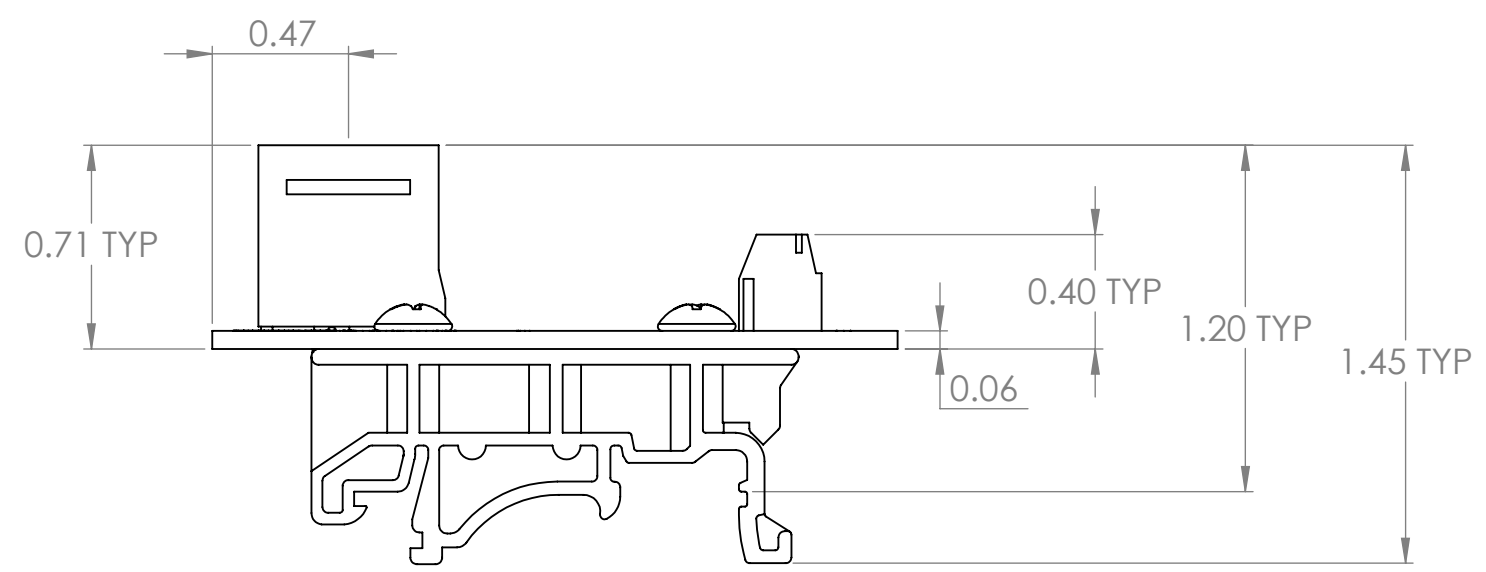
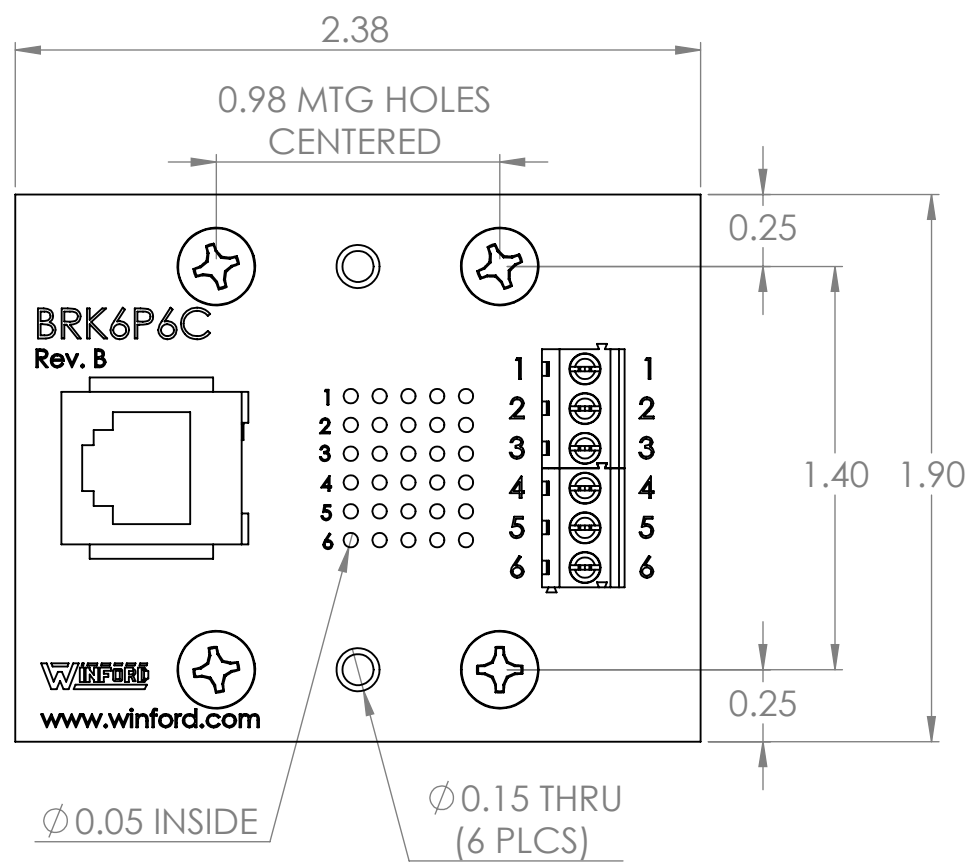
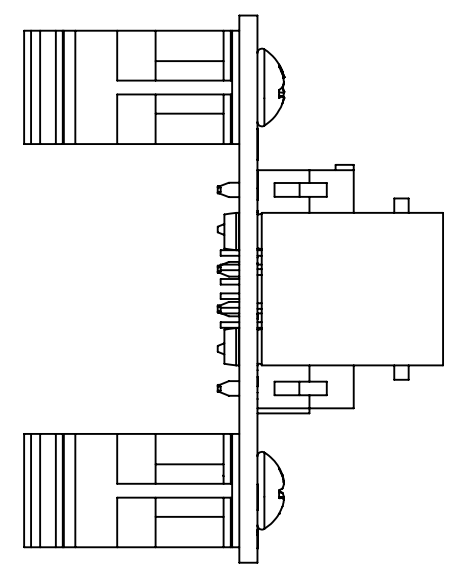
3

2

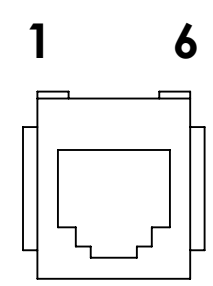
1

B

B



Connector Pinout



4


3

2

1

A

A

DIM: INCH	DATE: 07/29/2021	RoHS COMPLIANT: Yes	DESCRIPTION: 6P6C Breakout Board	
 WINFORD ENGINEERING, LLC 4561 GARFIELD ROAD AUBURN, MI 48611		PART NUMBER (S) BRK6P6C-S-DIN		PART REVISION B
www.winford.com		989-671-9721		