

4

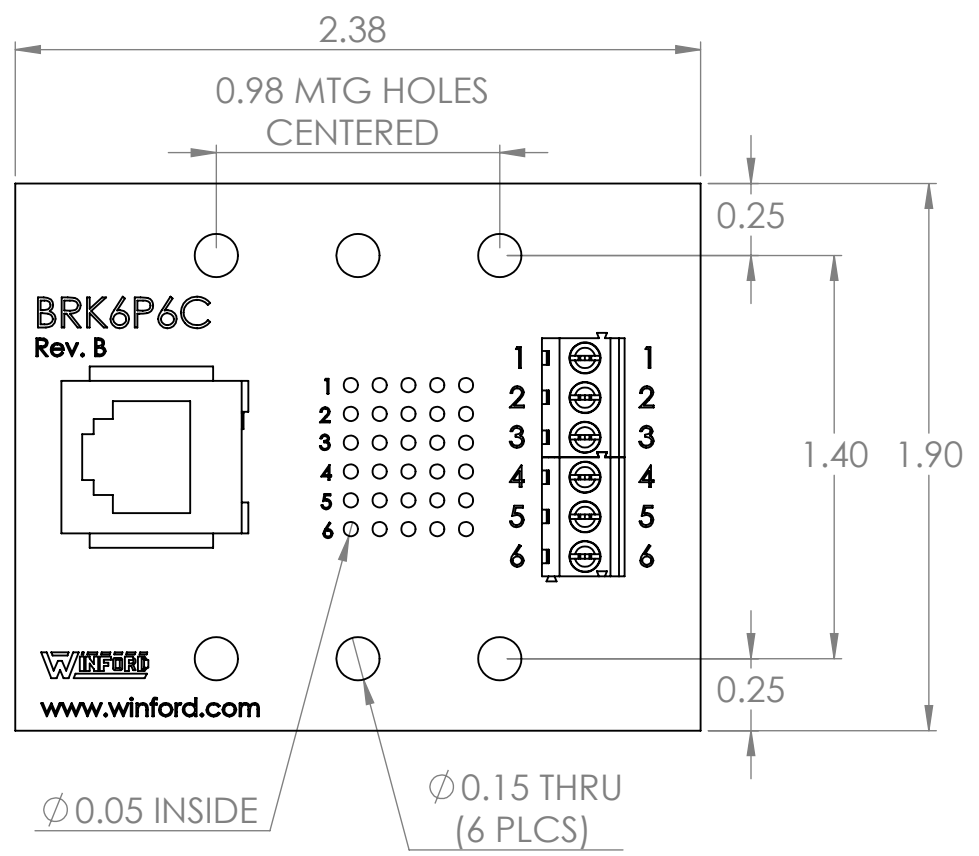
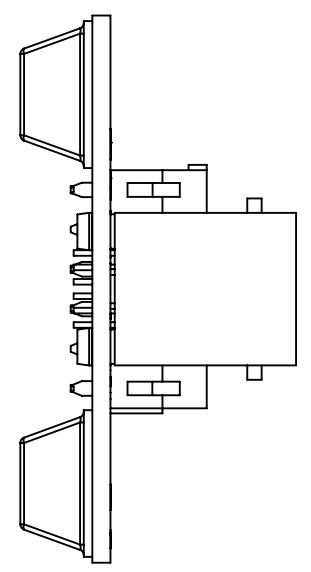
3

2

1

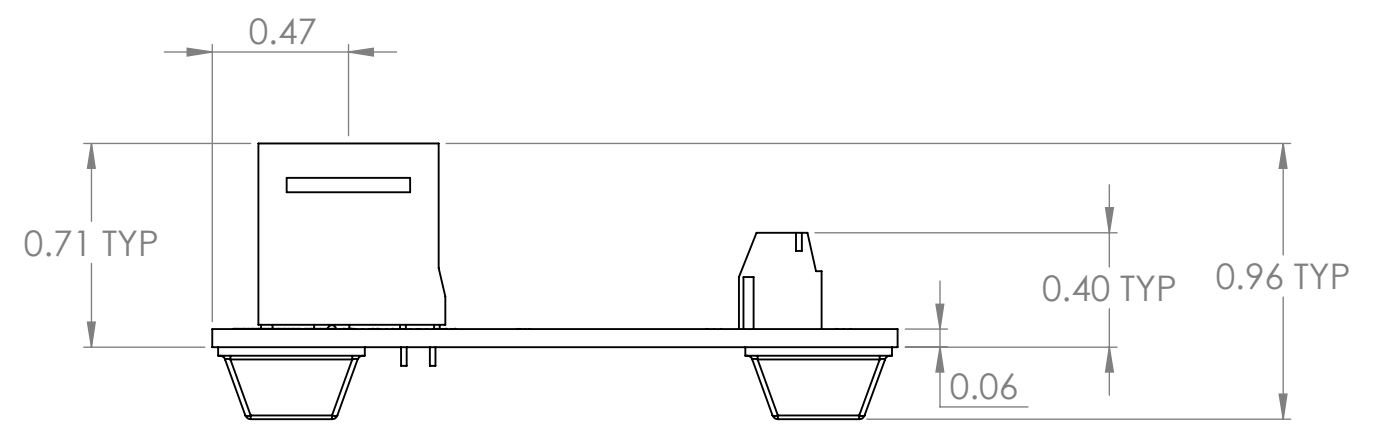
B

B

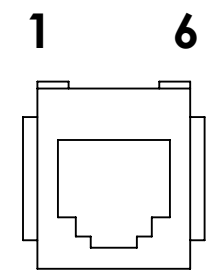


A

A



Connector Pinout




4

3

2

1

DIM: INCH	DATE: 07/29/2021	RoHS COMPLIANT: Yes	DESCRIPTION: 6P6C Breakout Board	
 WINFORD ENGINEERING, LLC 4561 GARFIELD ROAD AUBURN, MI 48611		PART NUMBER (S) BRK6P6C-S-FT		PART REVISION B
www.winford.com		989-671-9721		