

4

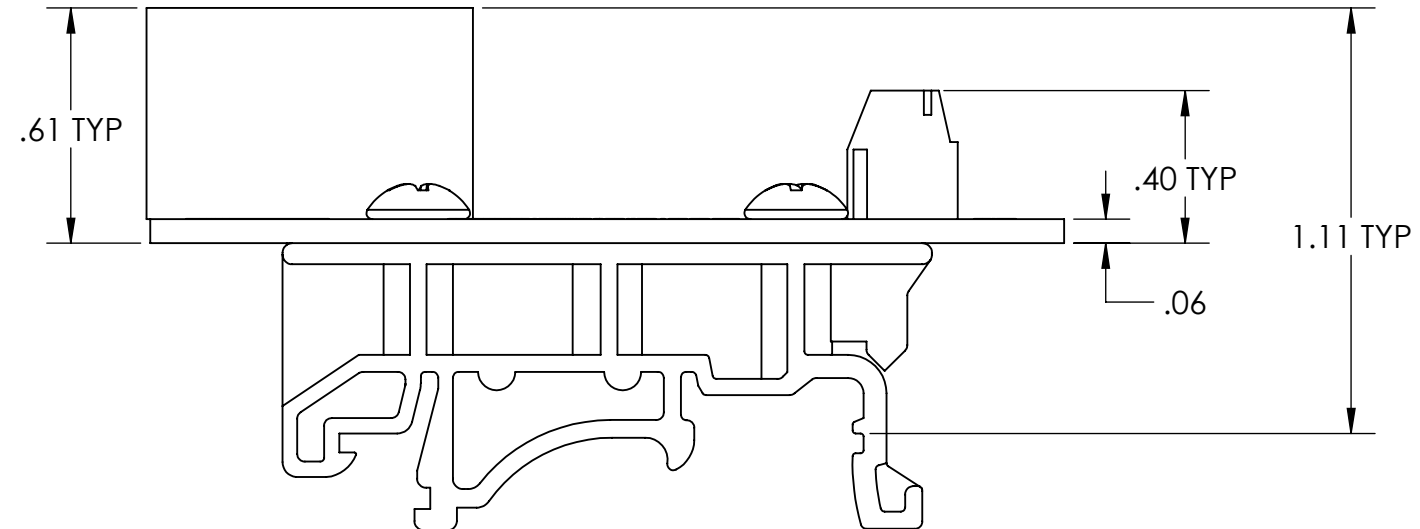
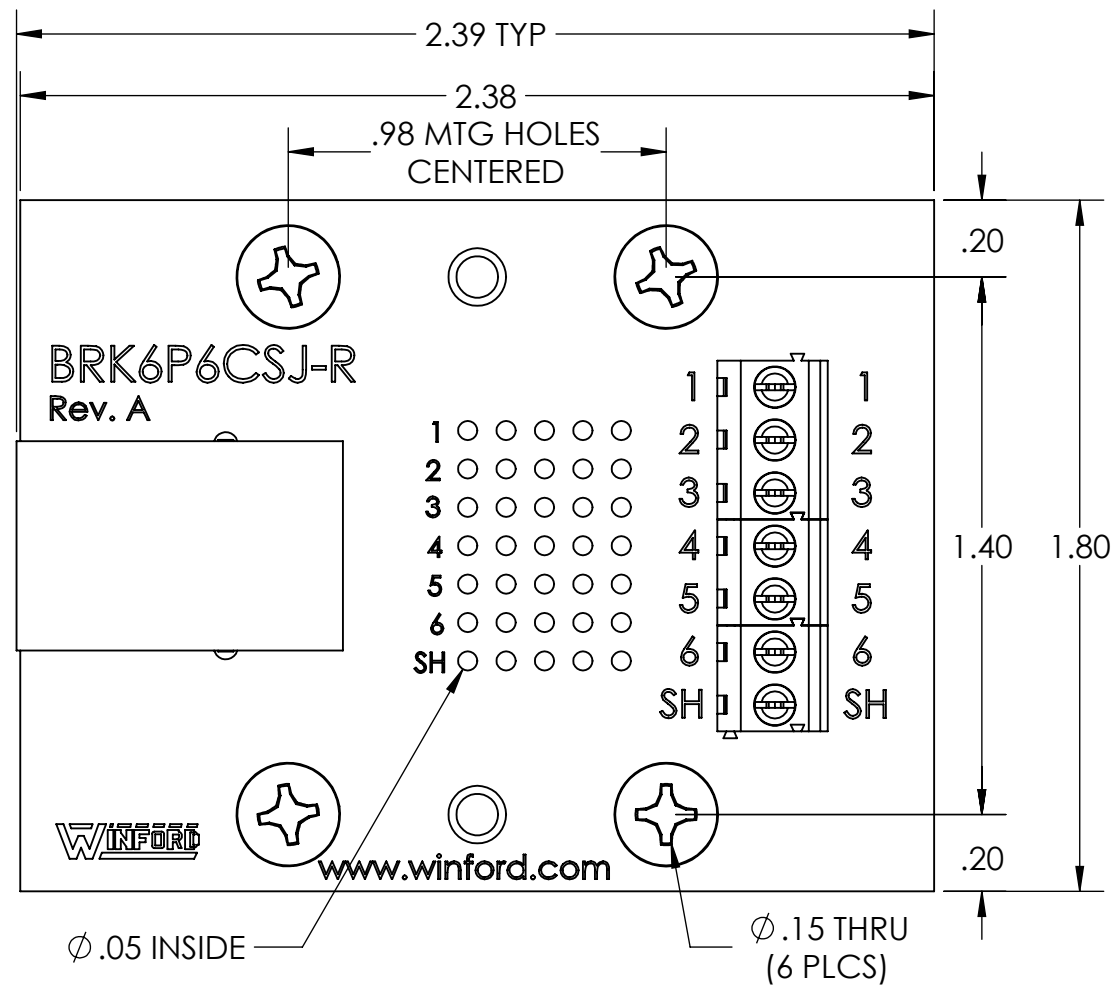
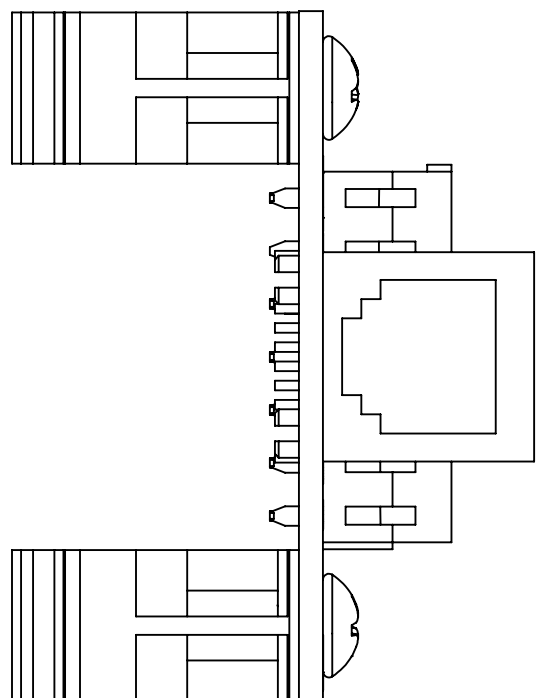
3

2

1

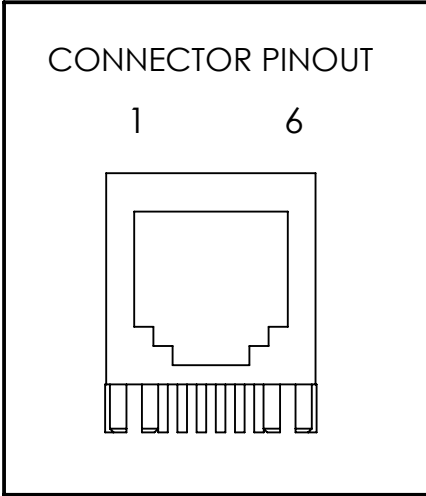
B

B



A

A



DIM: INCH	DATE: 02/08/2020	RoHS COMPLIANT: YES	DESCRIPTION:
WINFORD ENGINEERING, LLC 4561 GARFIELD ROAD AUBURN, MI 48611			6P6C Shielded Breakout
www.winford.com		989-671-9721	PART NUMBER (S)
			BRK6P6CSJ-R-DIN
			PART REVISION
			A

4

3

2

1