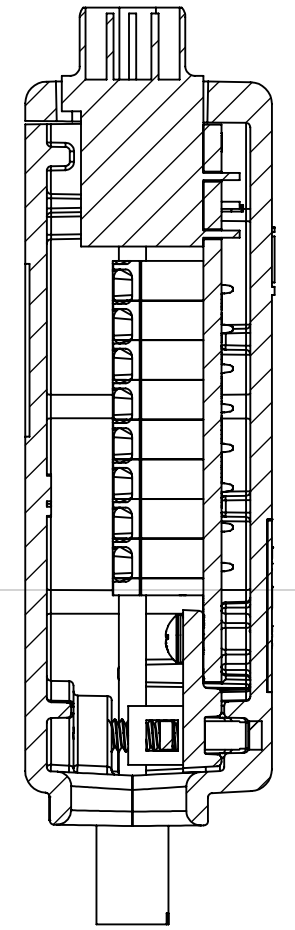
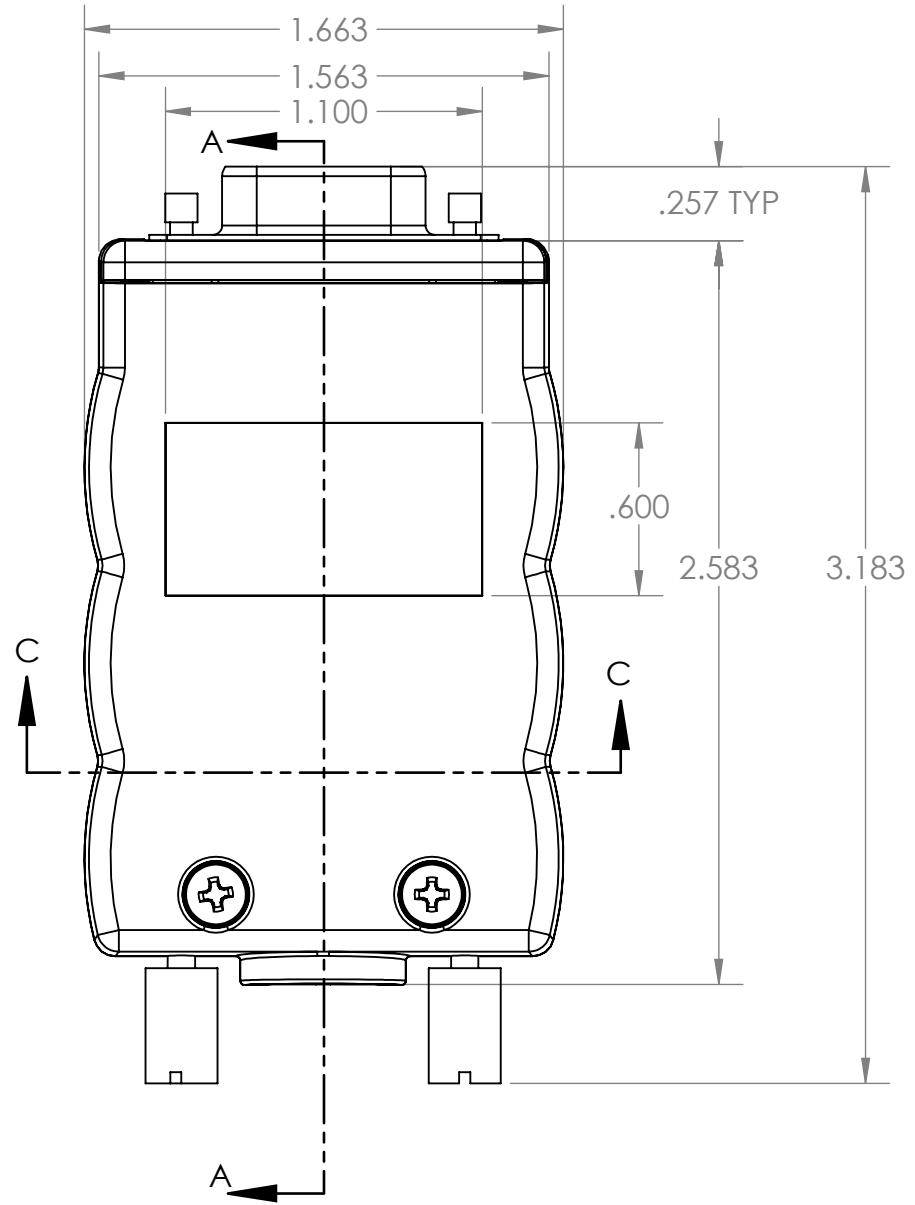


4

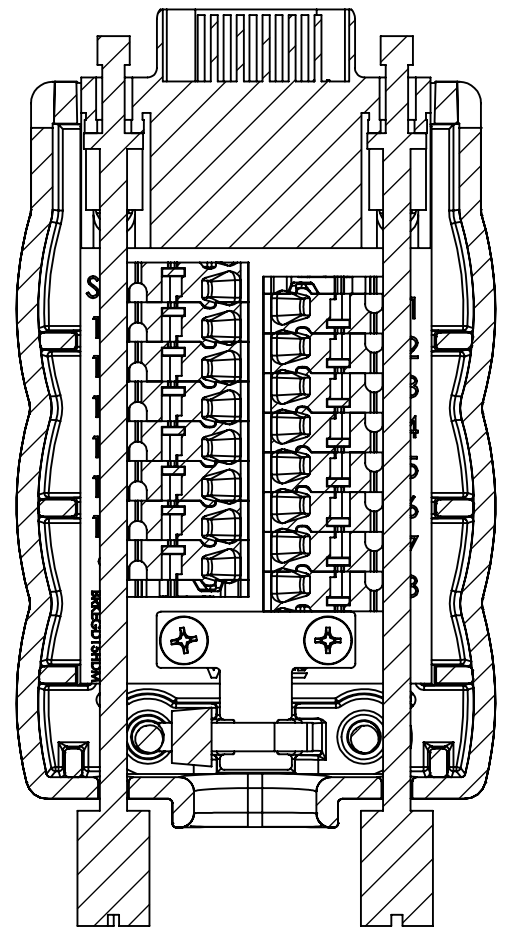
3

2

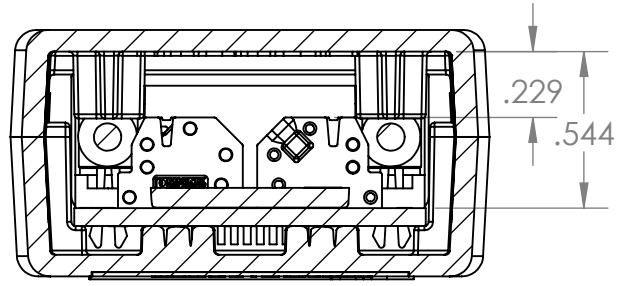
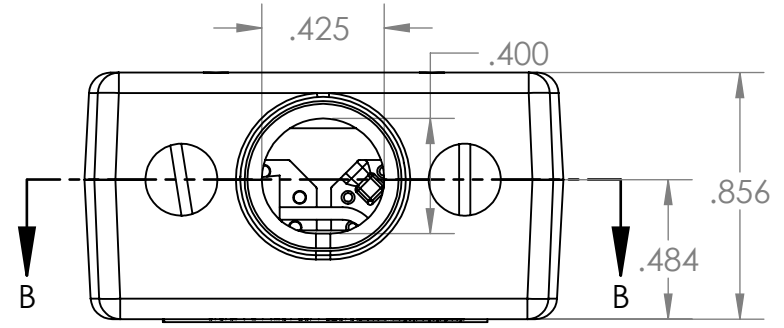
1




SECTION A-A



SECTION B-B



SECTION C-C

DIM: INCH	DATE: 11/11/2018	RoHS COMPLIANT: YES	DESCRIPTION: DB15 HD Breakout Board W/ Enclosure
 WINFORD ENGINEERING, LLC 4561 GARFIELD ROAD AUBURN, MI 48611		PART NUMBER (S) BRKEGD15HDM-T	PART REVISION A
www.winford.com		989-671-9721	

4

3

2

1

B

B

A

A