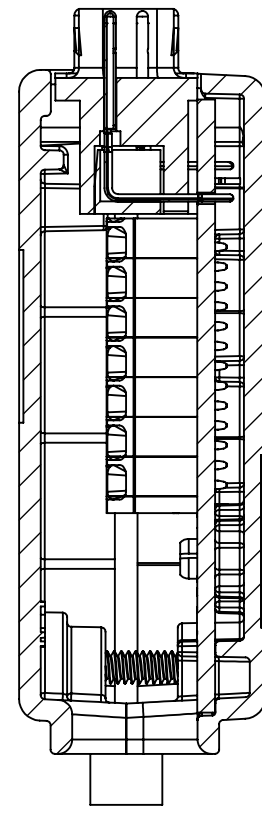
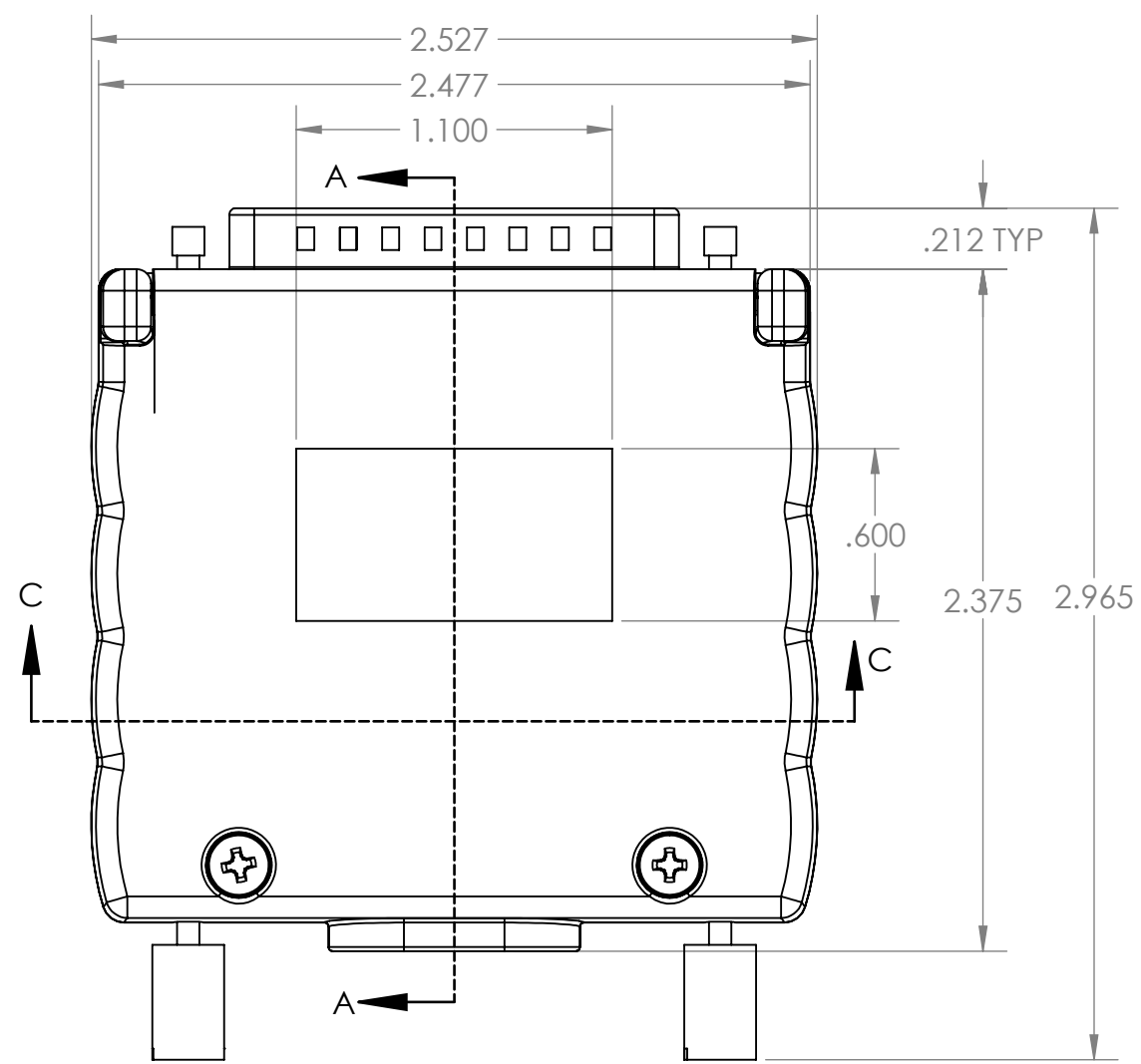


4

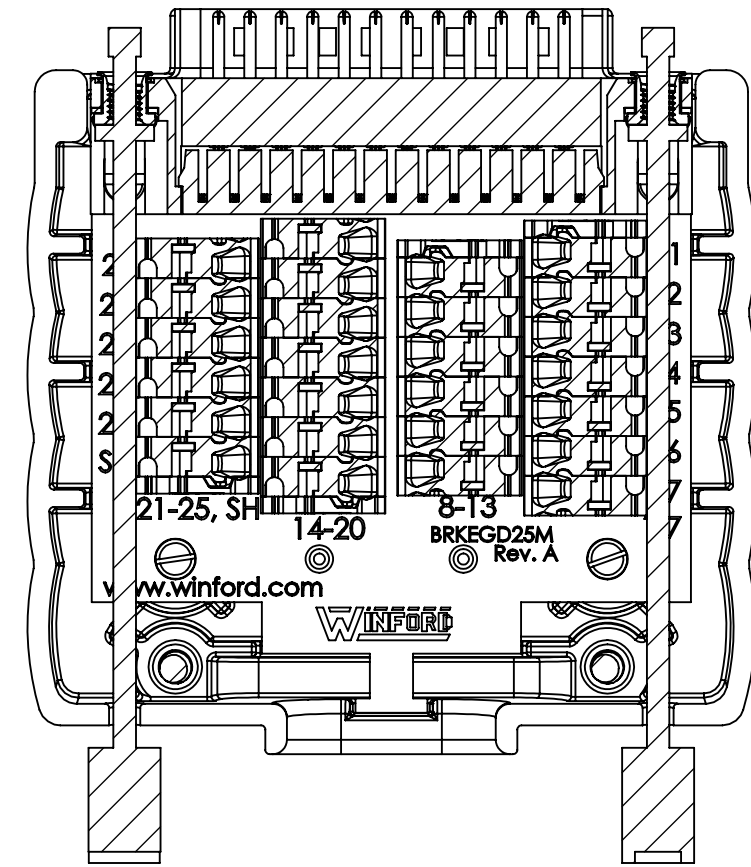
3

2

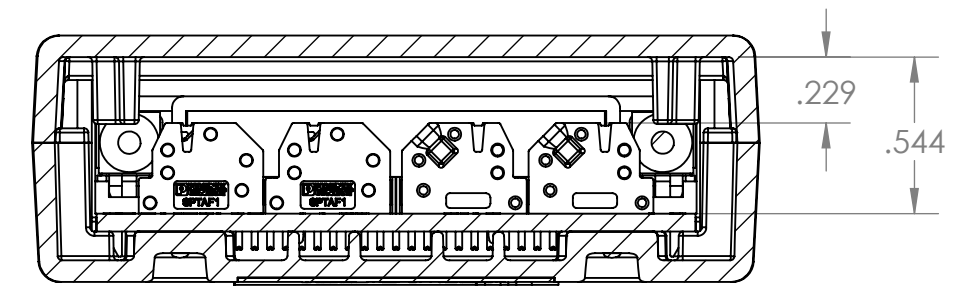
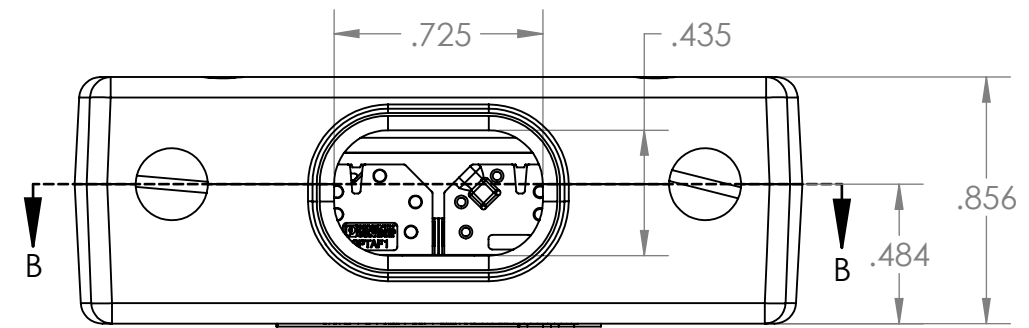
1




SECTION A-A



SECTION B-B



SECTION C-C

DIM: INCH	DATE: 12/13/2020	RoHS COMPLIANT: YES	DESCRIPTION:
 WINFORD ENGINEERING, LLC 4561 GARFIELD ROAD AUBURN, MI 48611			DB25 Breakout Board W/ Enclosure
www.winford.com		989-671-9721	PART NUMBER (S)
			BRKEGD25M-T
			PART REVISION
			A

4

3

2

1