

4

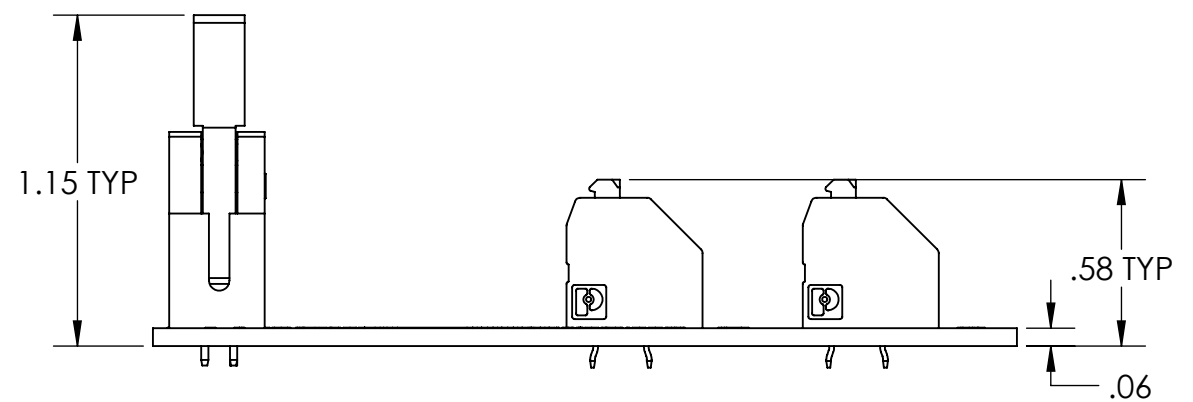
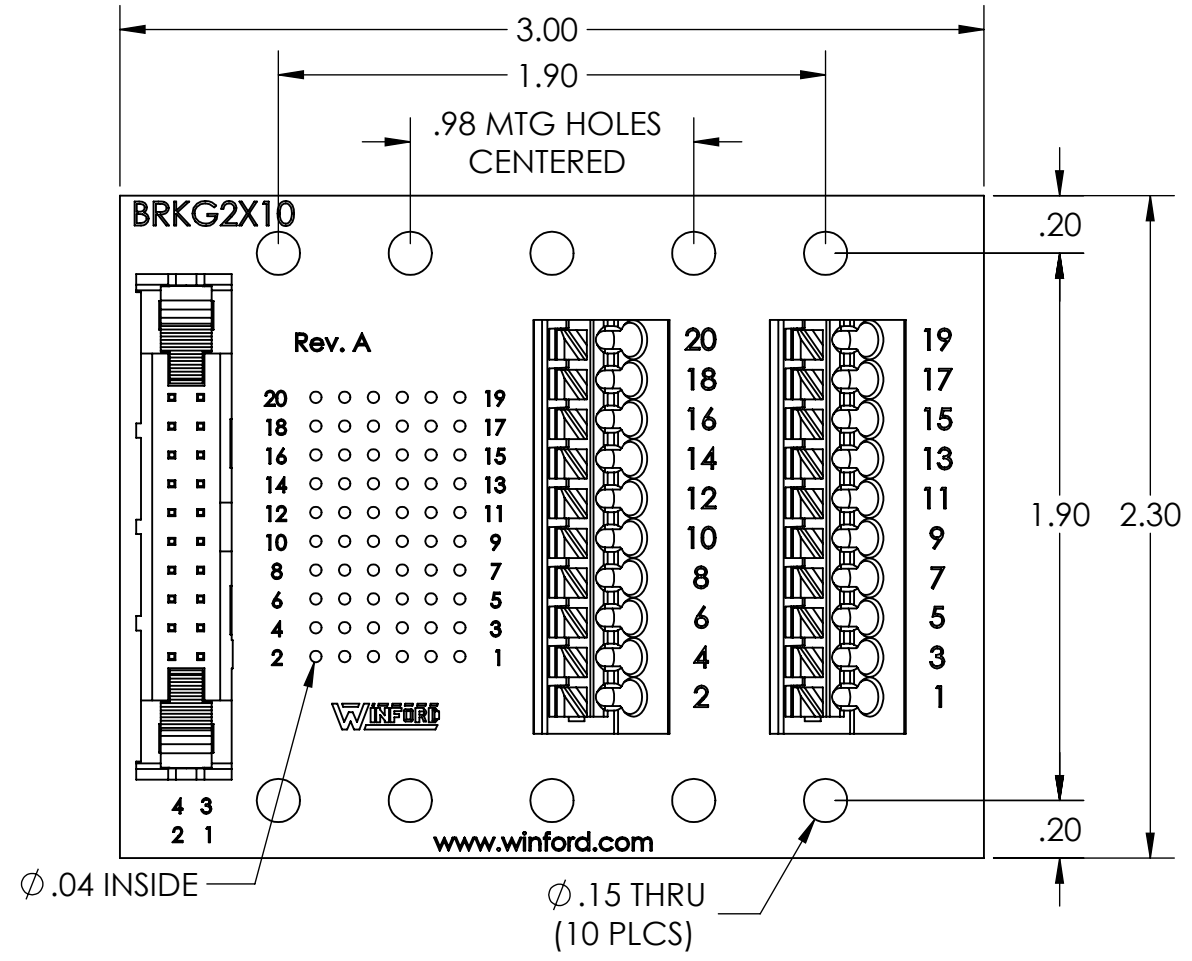
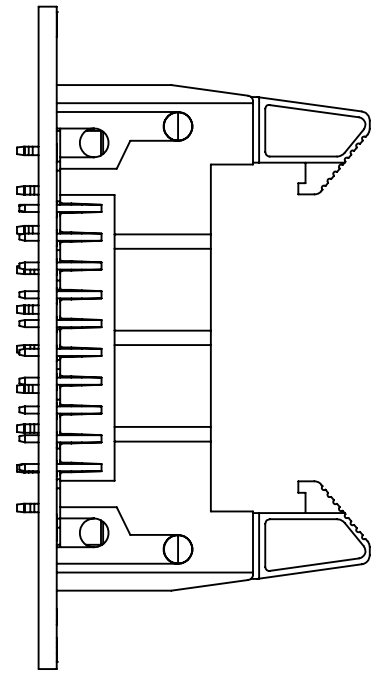
3

2

1

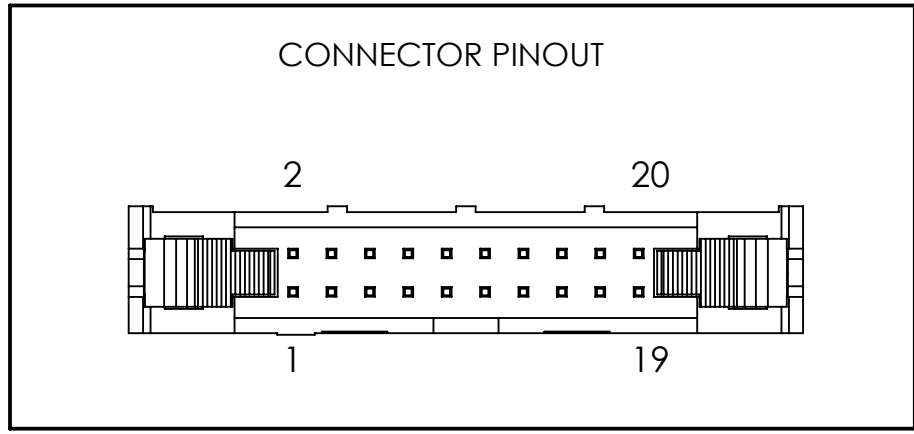
B

B



A

A



DIM: INCH	DATE: 03/29/2020	RoHS COMPLIANT: YES	DESCRIPTION:
			2X10 0.1" Header Breakout
www.winford.com		WINFORD ENGINEERING, LLC 4561 GARFIELD ROAD AUBURN, MI 48611 989-671-9721	PART NUMBER (S) BRKG2X10-L-N
			PART REVISION A

4

3

2

1