

4

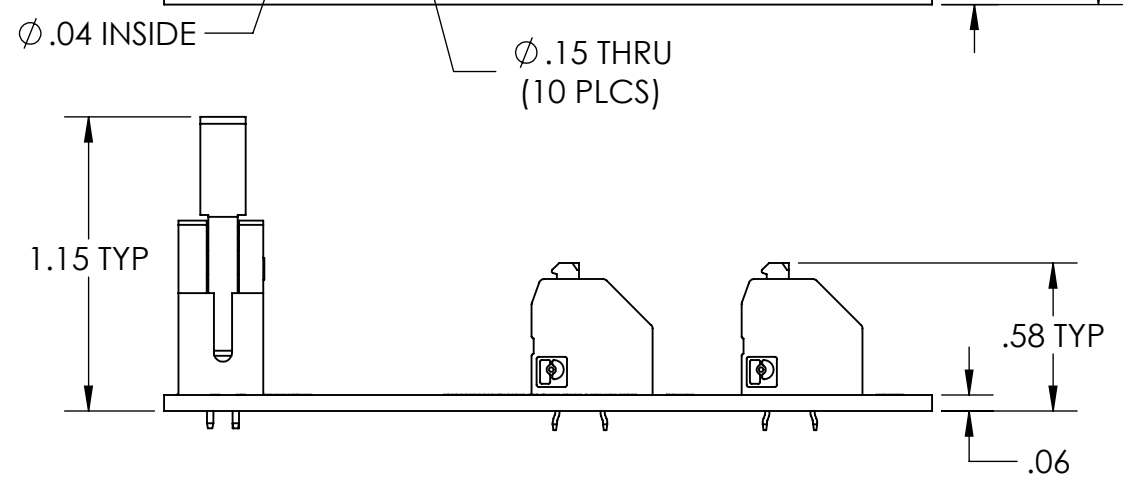
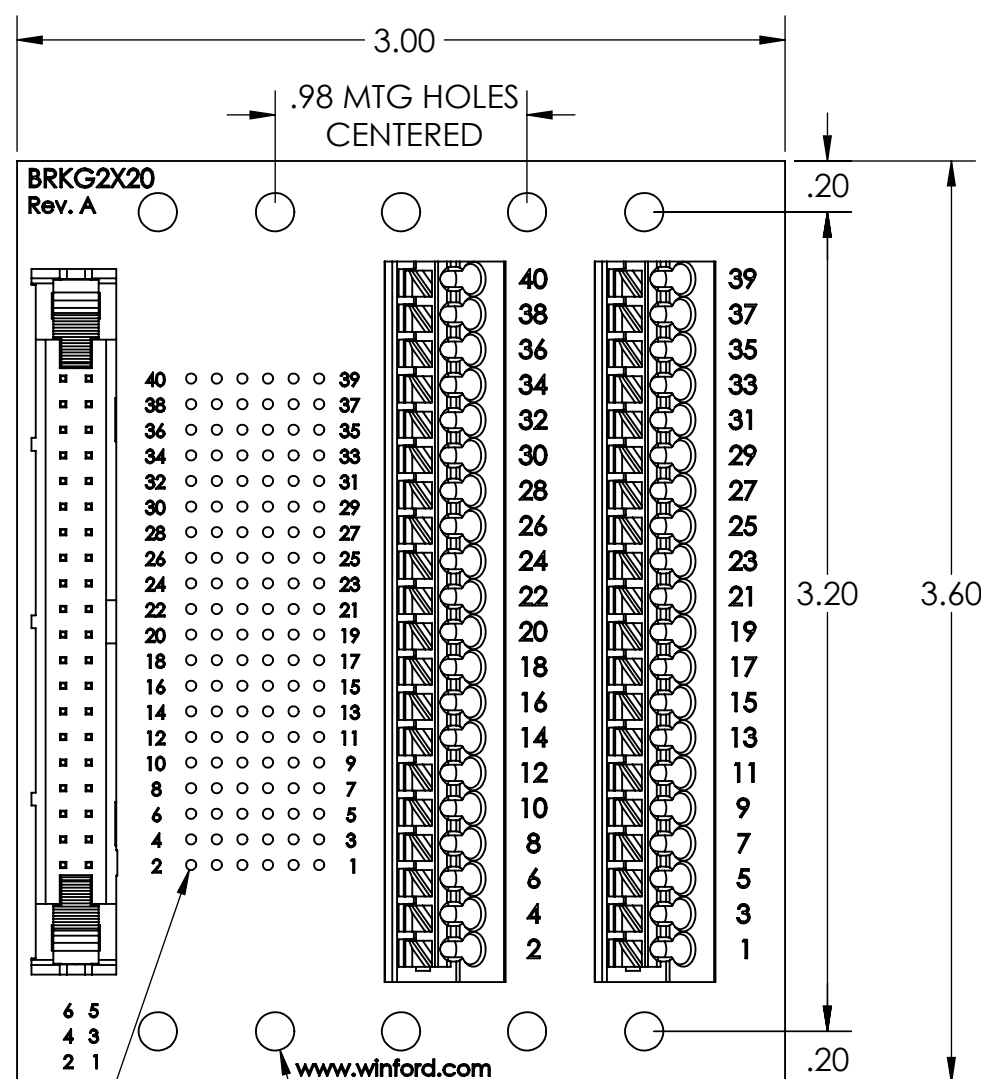
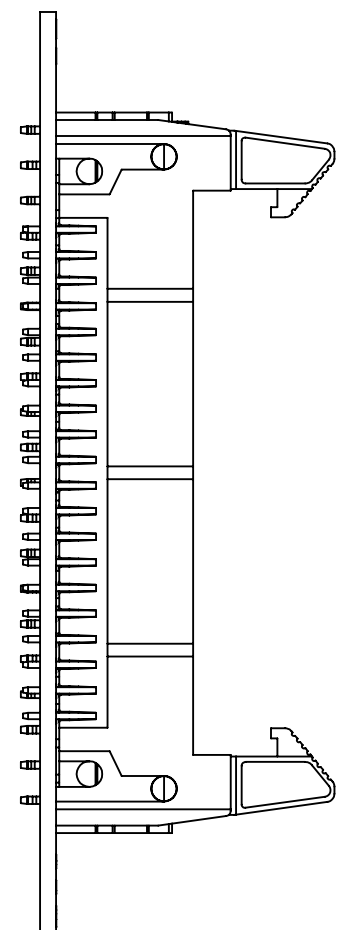
3

2

1

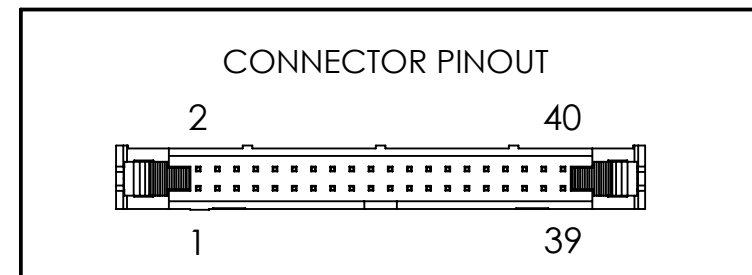
B

B



A

A




4

3

2

1

DIM: INCH	DATE: 02/08/2020	RoHS COMPLIANT: YES	DESCRIPTION: 2x20 0.1" Header Breakout
 WINFORD ENGINEERING, LLC 4561 GARFIELD ROAD AUBURN, MI 48611		PART NUMBER (S) BRKG2X20-L-N	PART REVISION A
www.winford.com		989-671-9721	

4

3

2

1