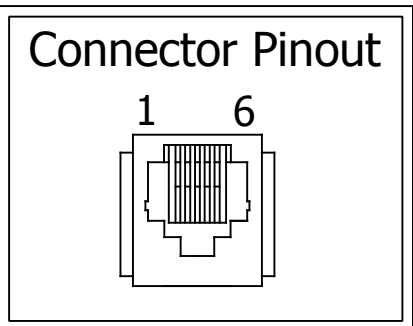
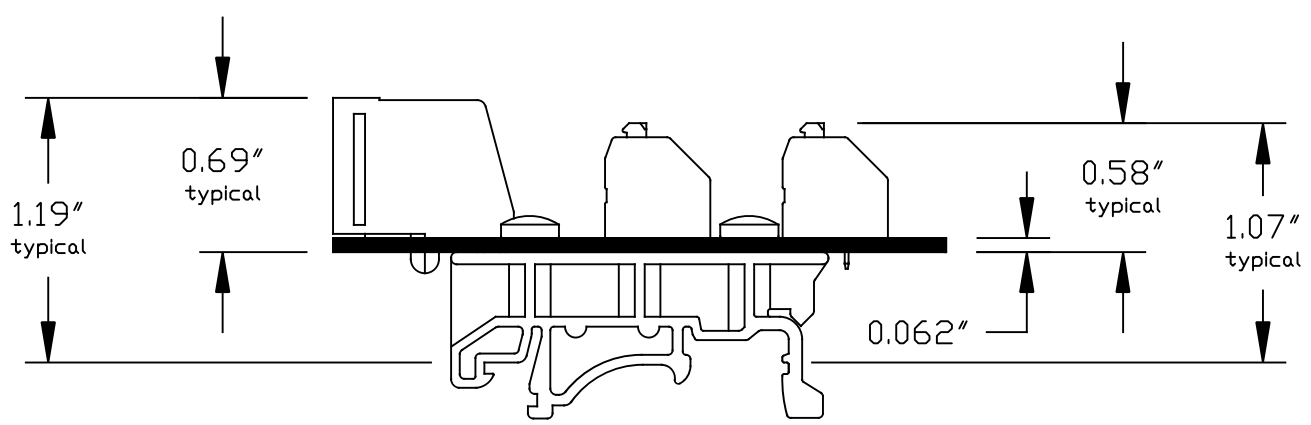


Ø0.04" INSIDE
Ø0.15, 6 PLCS



DIM: Inch	DATE: 04/18/2017	RoHS COMPLIANT: Yes	DESCRIPTION:
		Winford Engineering, LLC 4561 Garfield Road Auburn, MI 48611	RJ12 Spring Terminal Breakout Board
		www.winford.com	989-671-9721
PART NUMBER(S):			PART REVISION:
BRKG6P6C-R-DIN			A