

4

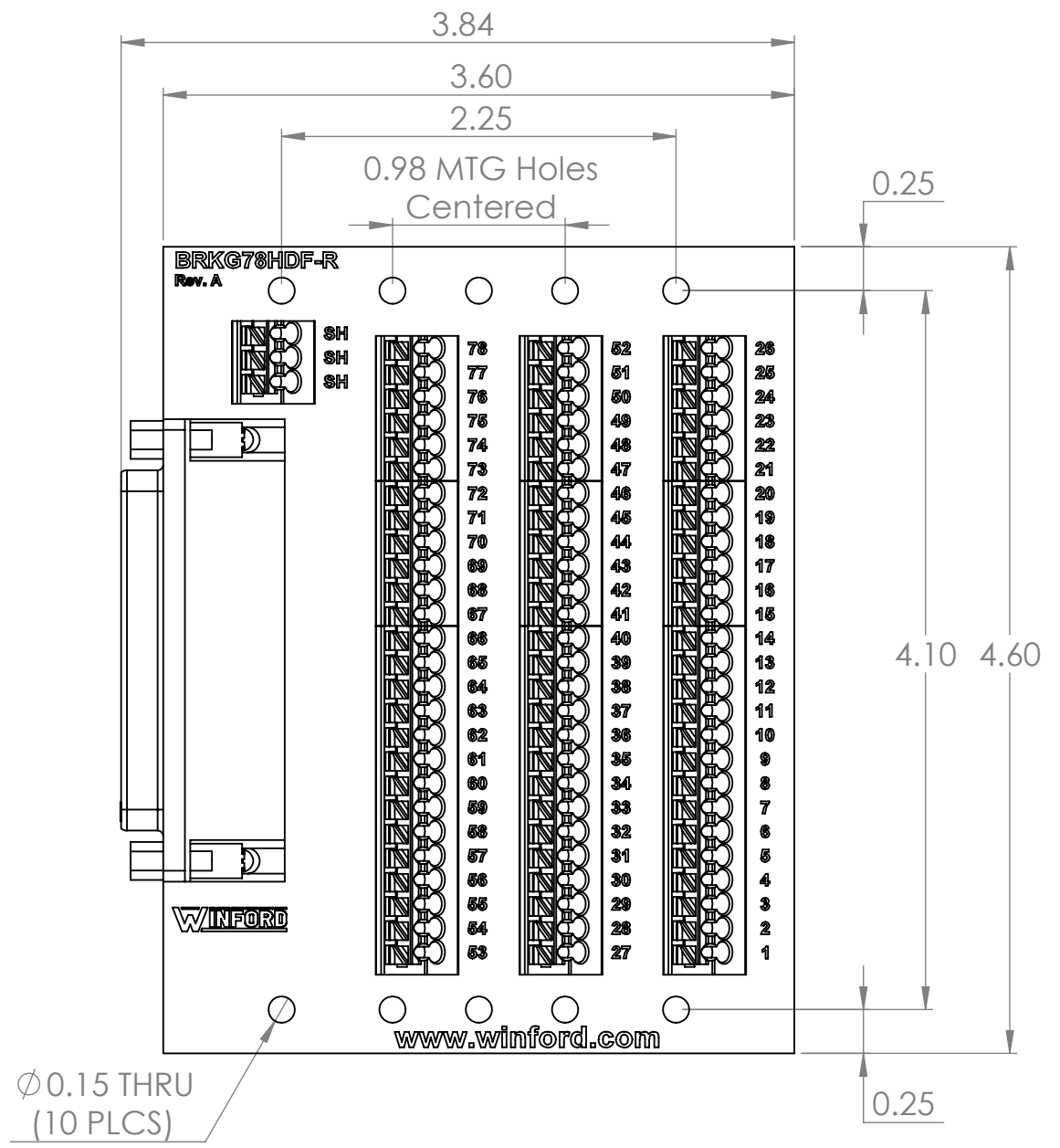
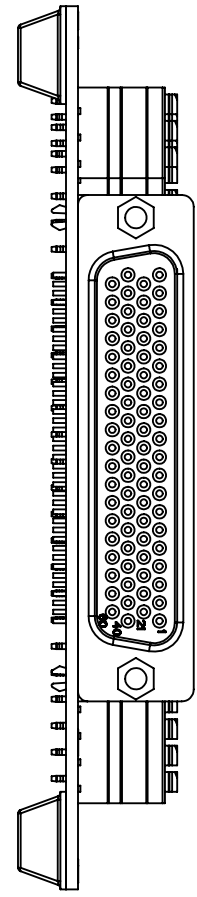
3

2

1

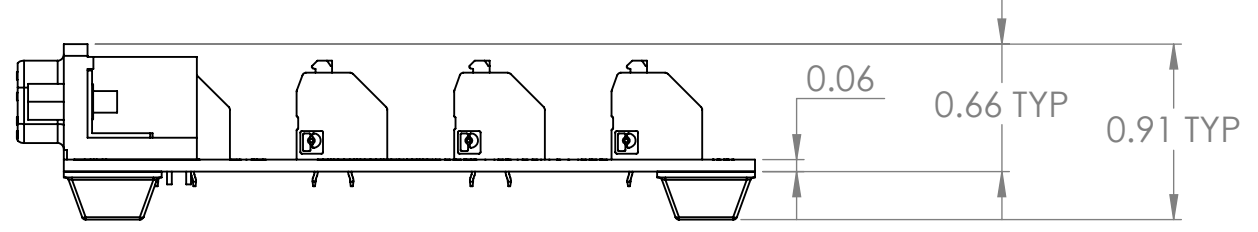
B

B

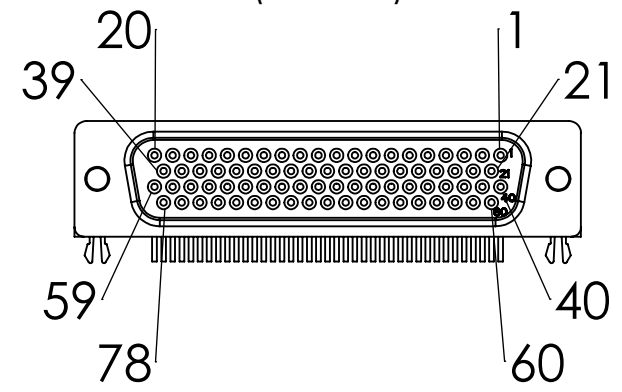



A

A



Connector Pinout
(Female)



DIM: INCH	DATE: 09/05/2023	RoHS COMPLIANT: Yes	DESCRIPTION: 78 Pin D-sub Female Spring Terminal Board
 WINFORD ENGINEERING, LLC 4561 GARFIELD ROAD AUBURN, MI 48611		PART NUMBER (S) BRKG78HDF-R-FT	PART REVISION A
www.winford.com		989-671-9721	

4

3

2

1