

4

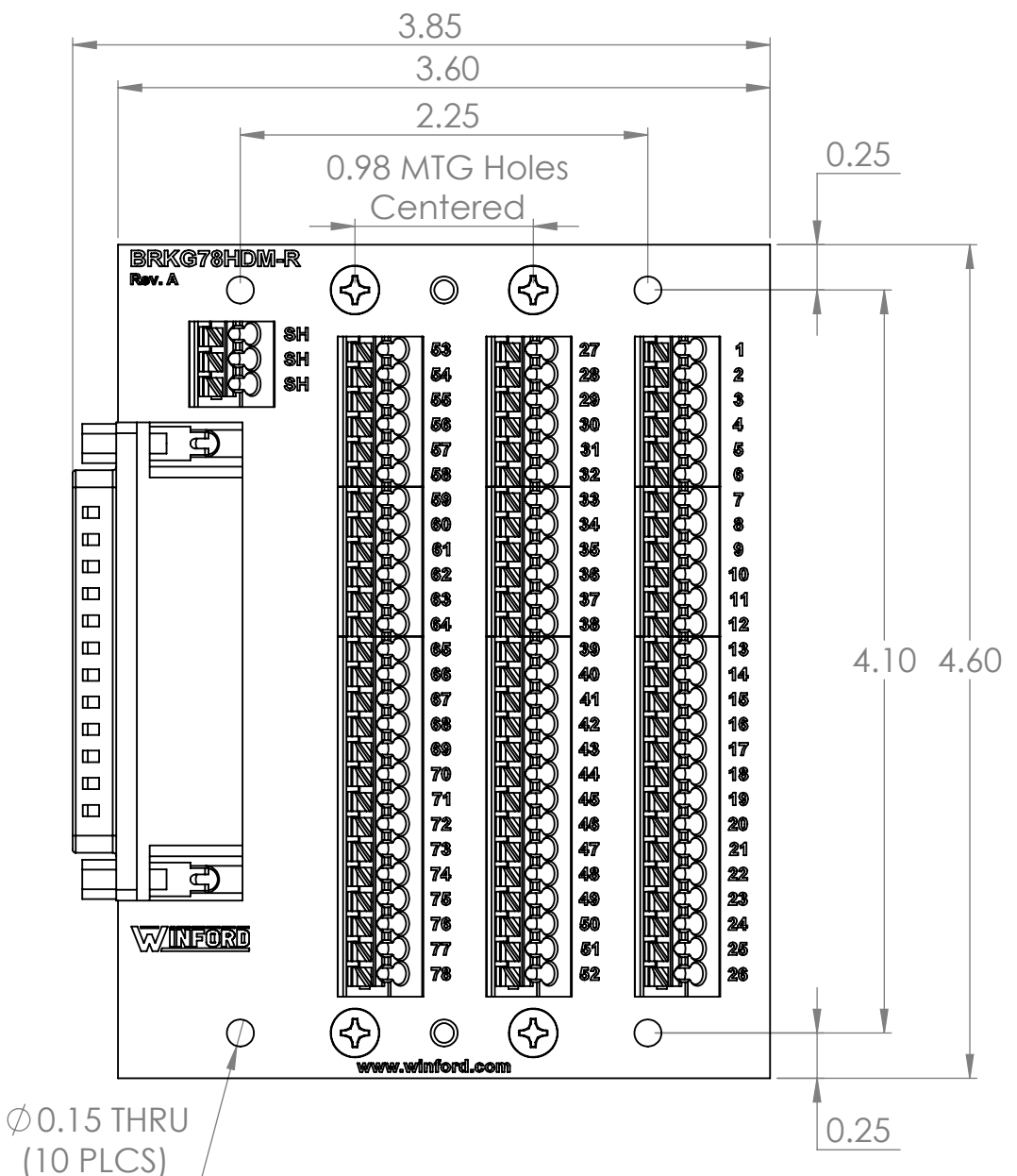
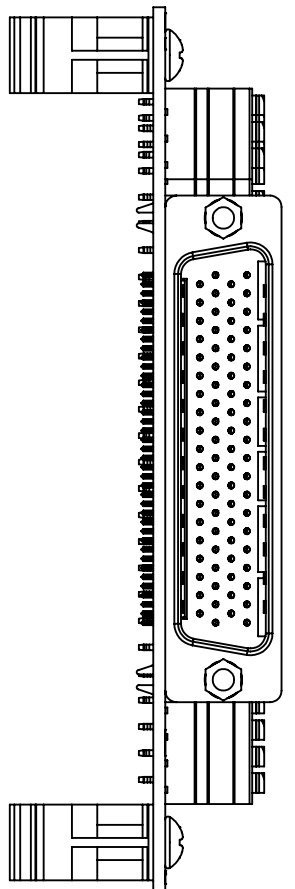
3

2

1

B

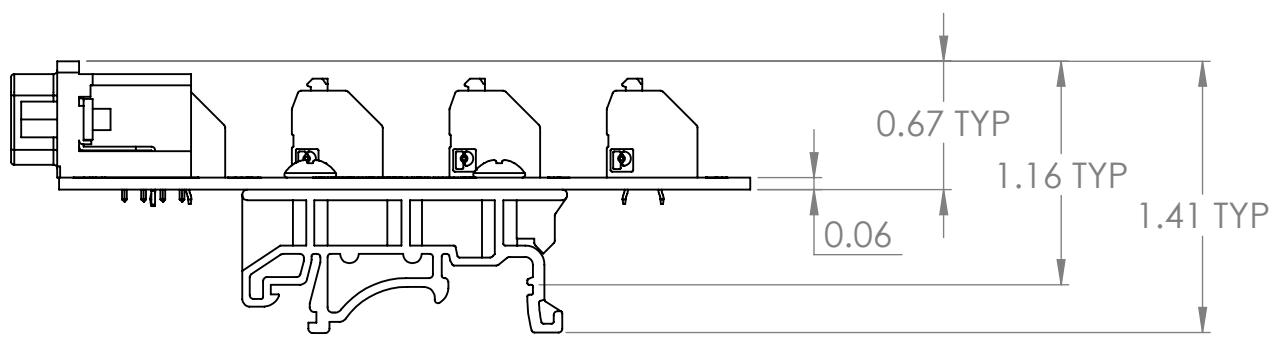
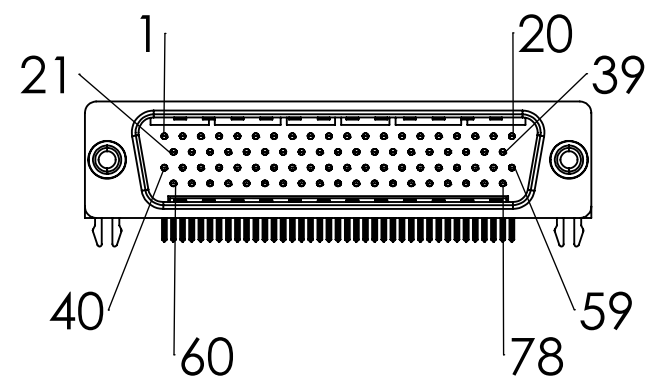
B




A

A

Connector Pinout
(Male)



DIM: INCH	DATE: 09/05/2023	RoHS COMPLIANT: Yes	DESCRIPTION: 78 Pin D-sub Male Spring Terminal Board
		WINFORD ENGINEERING, LLC 4561 GARFIELD ROAD AUBURN, MI 48611	PART NUMBER (S) BRKG78HDM-R-DIN
www.winford.com		989-671-9721	PART REVISION A

4

3

2

1