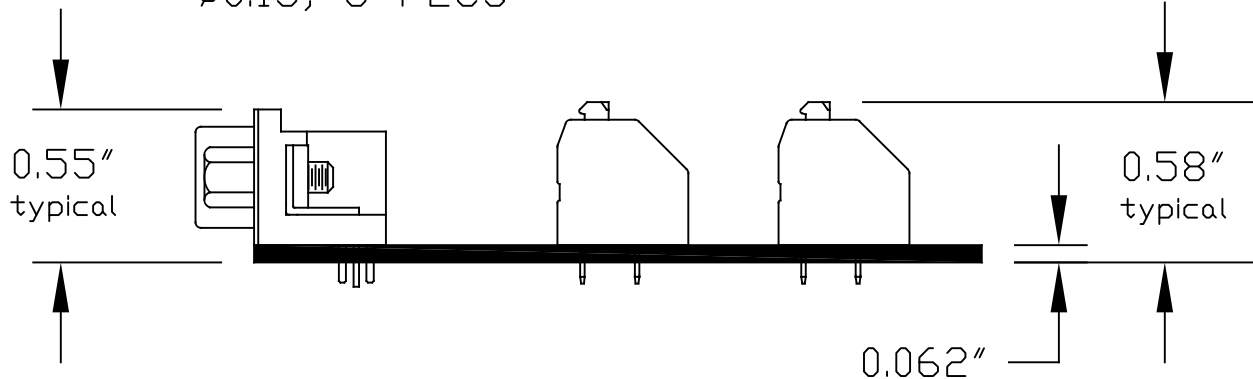
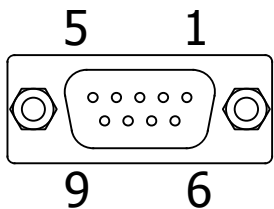


Ø0.04" INSIDE  
 Ø0.15, 6 PLCS



Connector Pinout



DIM: Inch	DATE: 09-29-2016	RoHS COMPLIANT: Yes	DESCRIPTION:
			DB9 Female Spring Terminal Breakout Board
Winford Engineering, LLC 4561 Garfield Road Auburn, MI 48611 www.winford.com			PART NUMBER(S):
			BRKG9F-R-N
			PART REVISION:
			A