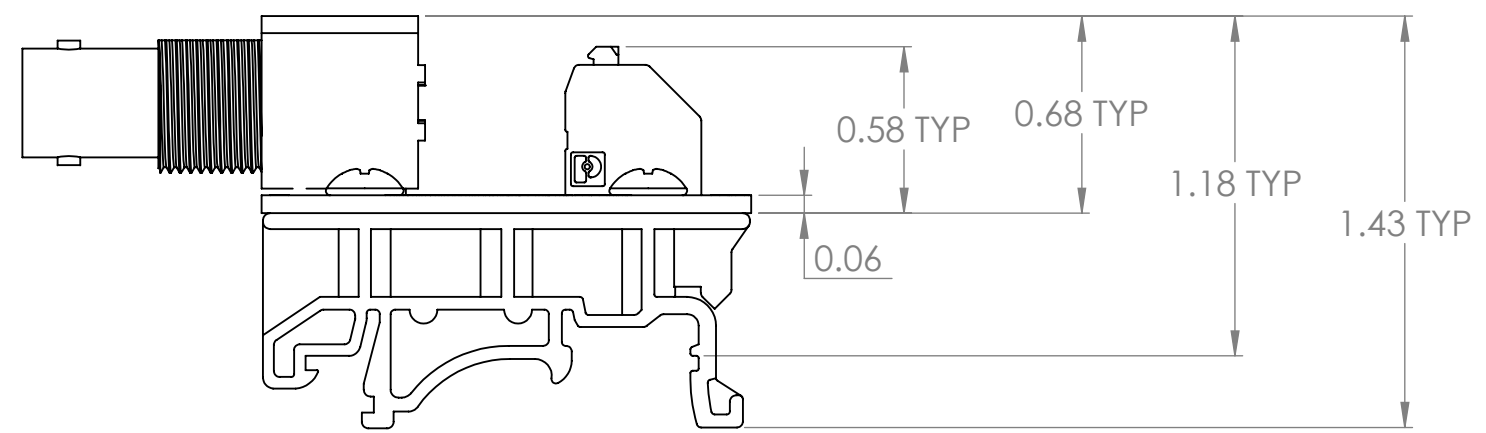
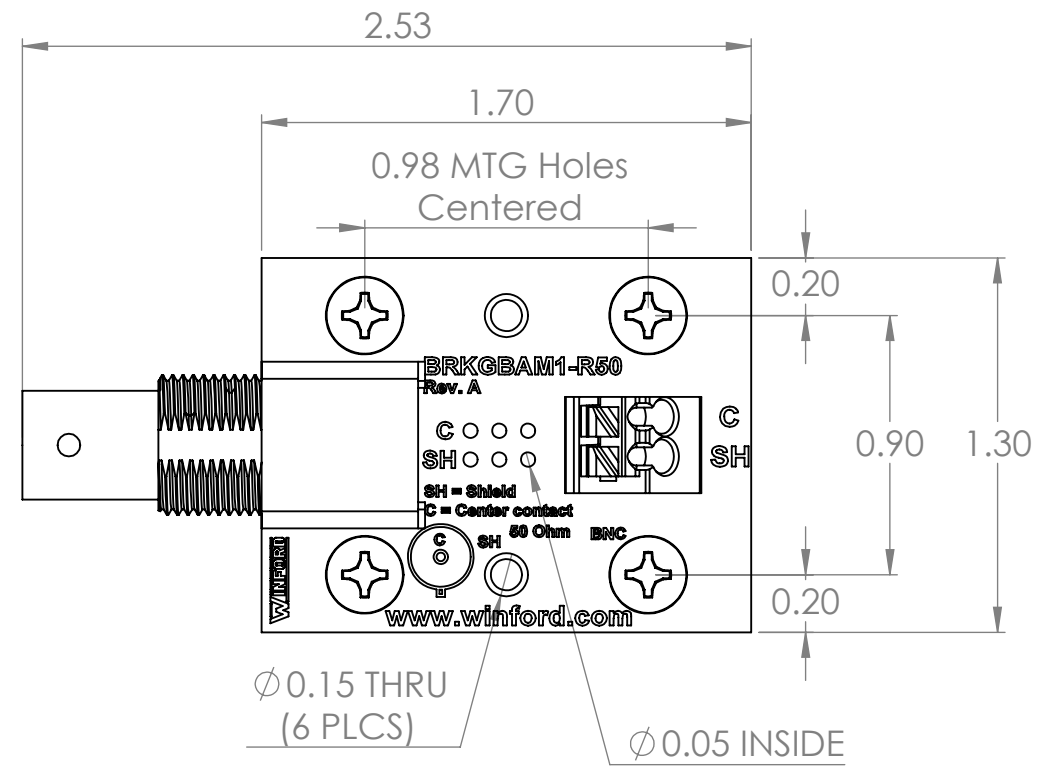
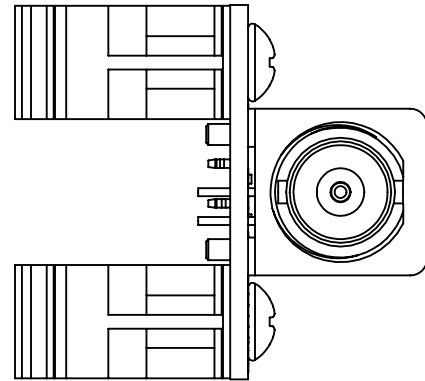


4

3

2

1

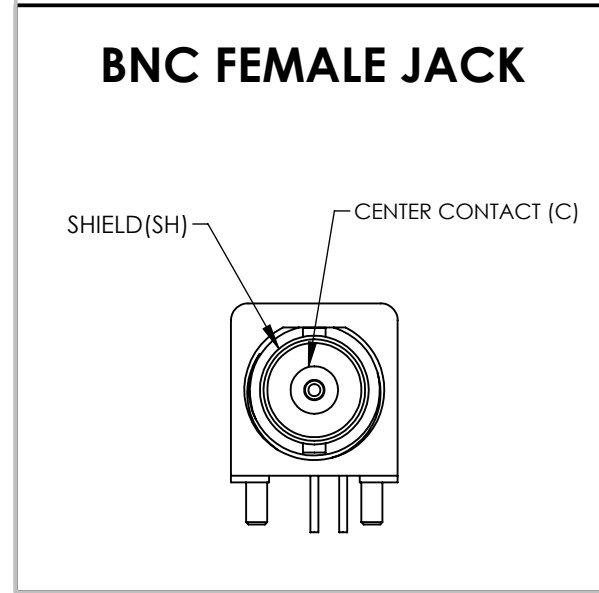


B

B

A

A



4

3

2

1

DIM: INCH	DATE: 08/20/2021	RoHS COMPLIANT: Yes	DESCRIPTION:
WINFORD ENGINEERING, LLC 4561 GARFIELD ROAD AUBURN, MI 48611			BNC Female Jack Breakout, 1-pos
www.winford.com		989-671-9721	PART NUMBER (S)
			BRKGBAM1-R50-DIN
			PART REVISION
			A