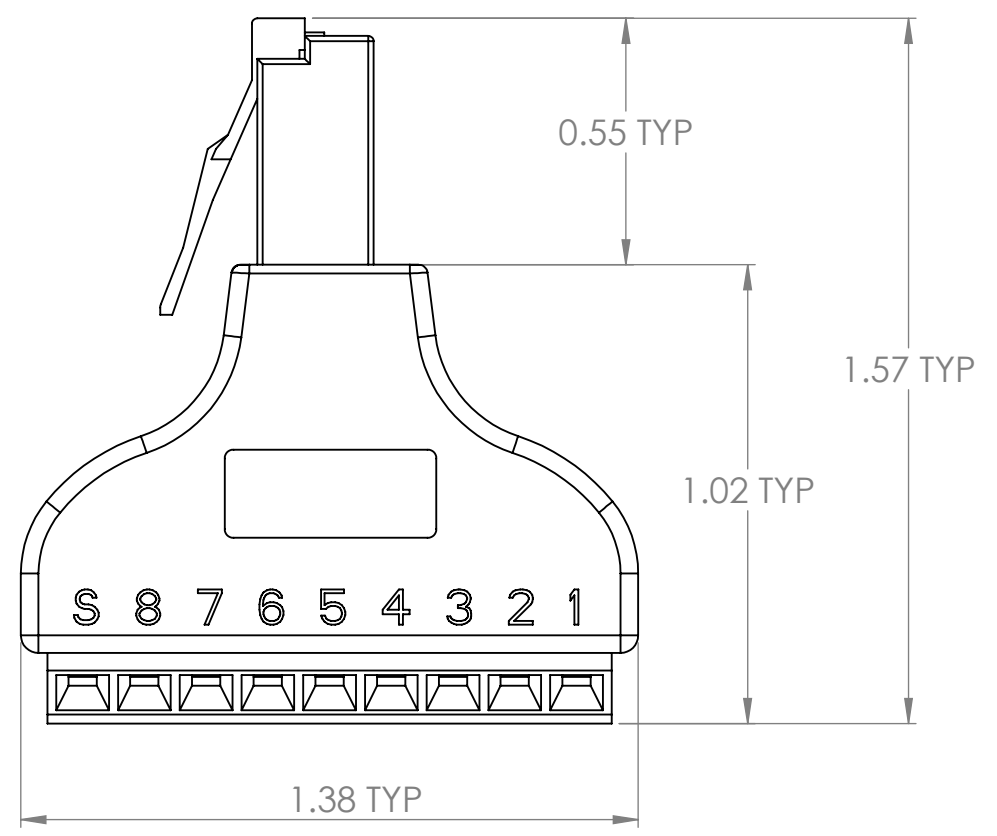
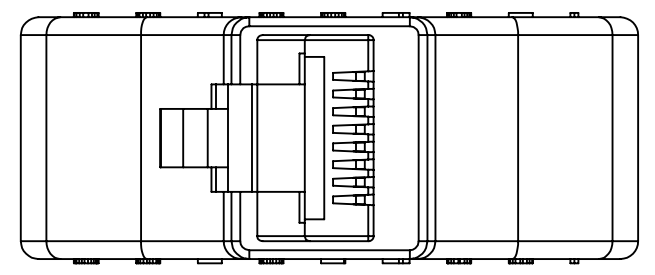
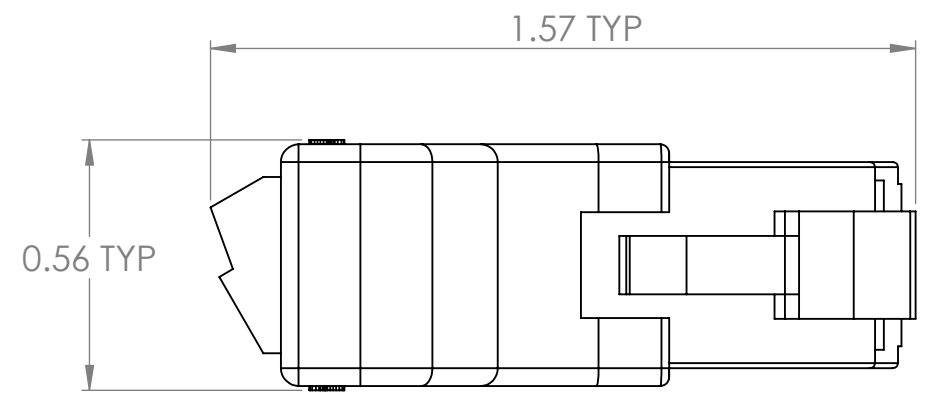


4

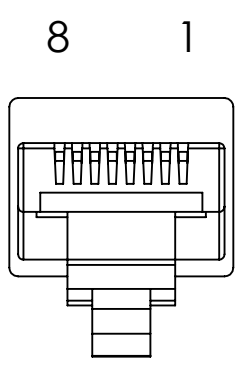
3


2

1



**Connector Pinout**  
(Male RJ45)



DIM: INCH	DATE: 10/22/2021	RoHS COMPLIANT: Yes	DESCRIPTION:
 <b>WINFORD ENGINEERING, LLC</b> 4561 GARFIELD ROAD AUBURN, MI 48611			RJ45 8P8C Male Breakout Board
<a href="http://www.winford.com">www.winford.com</a>			PART NUMBER (S)
989-671-9721			<b>BRKP02-8P8CM-V</b>

4

3

2

1

B

B

A

A