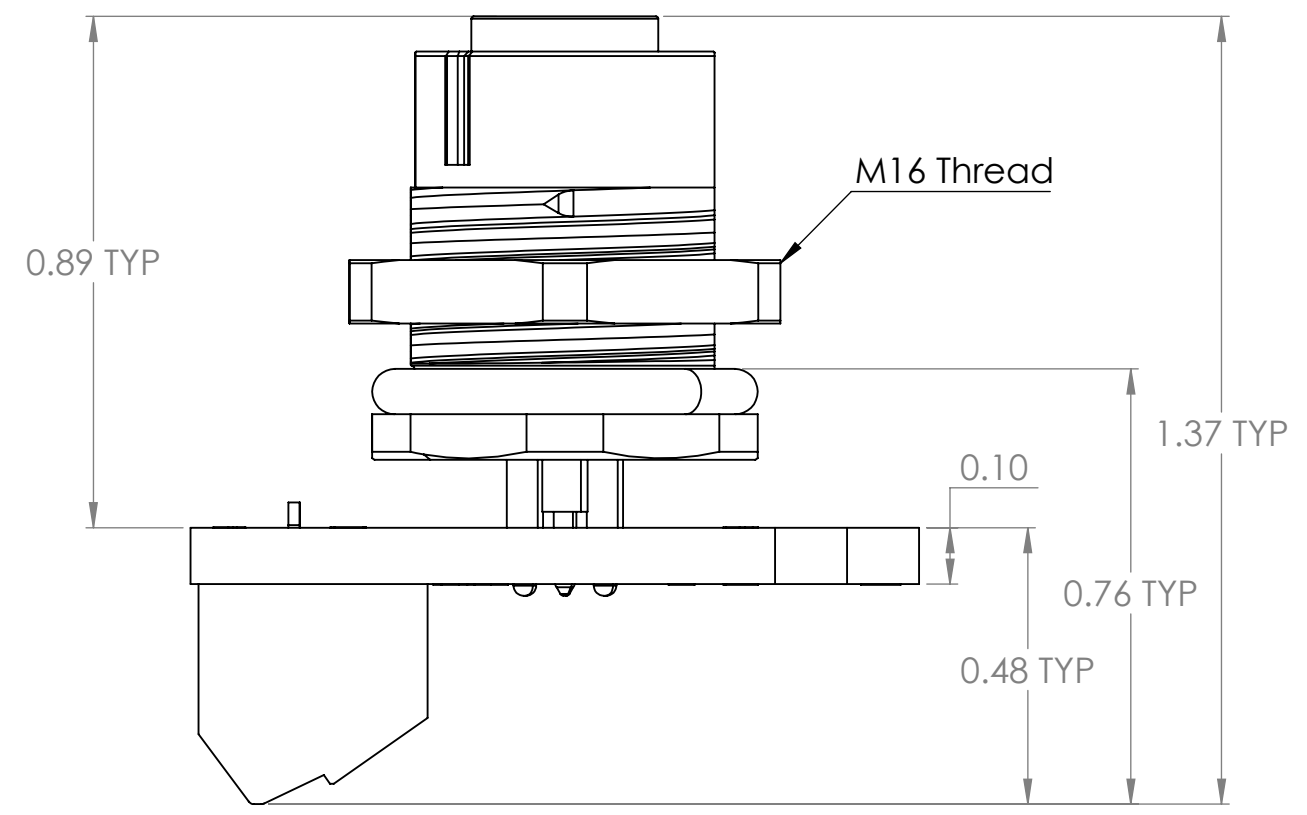
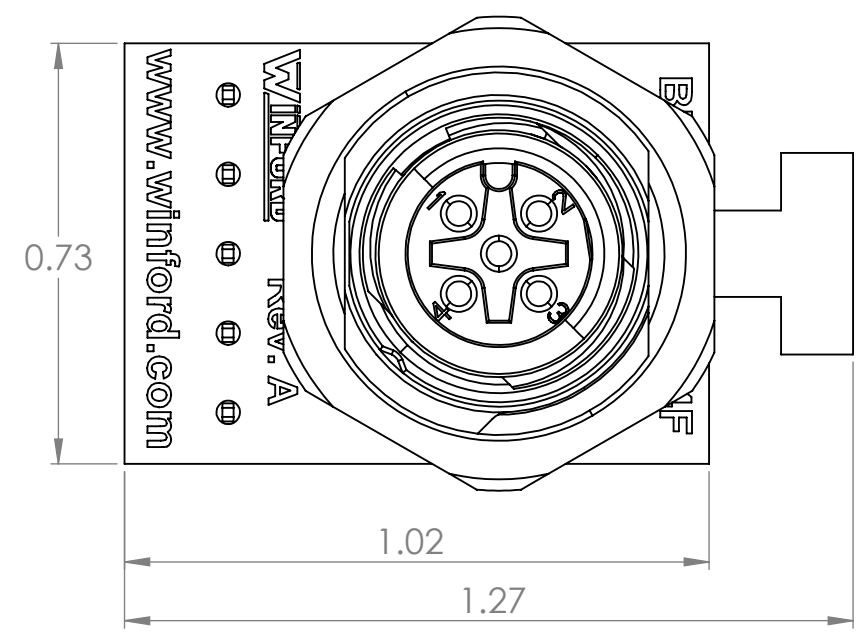
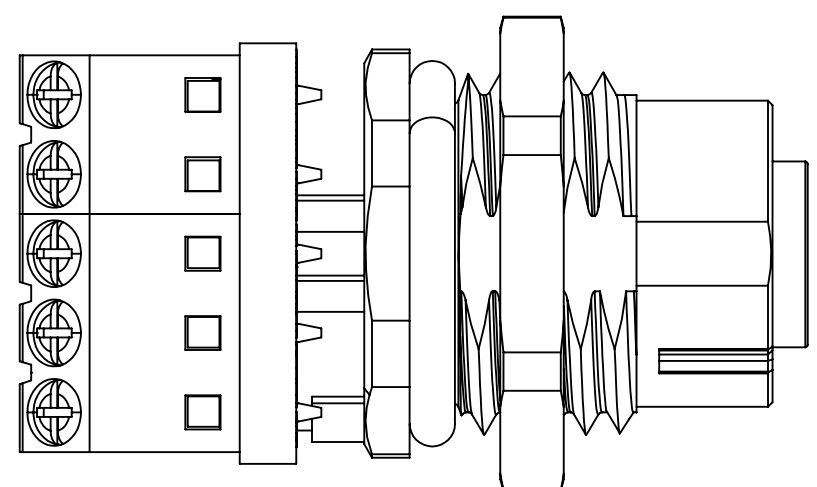
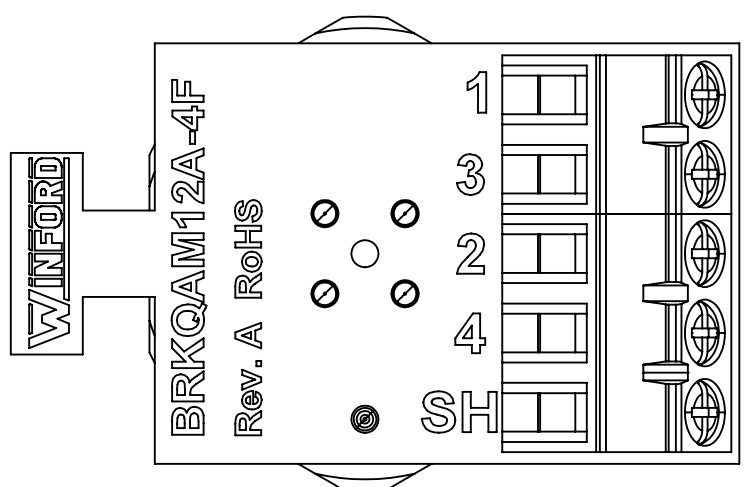


4

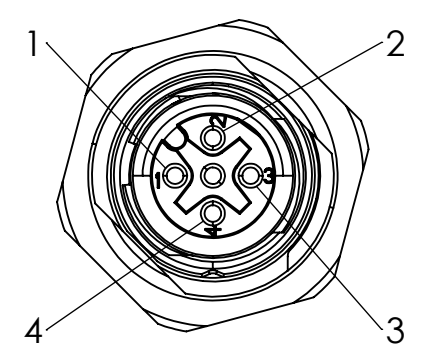
3

2

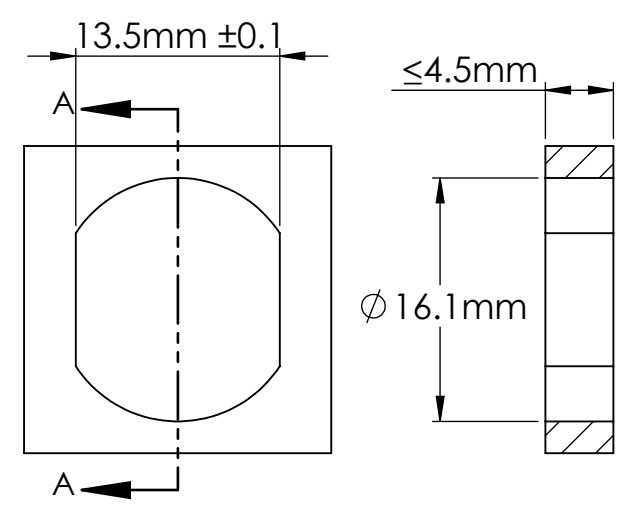
1



Connector Pinout



Recommended Panel Cutout



DIM: INCH	DATE: 04/20/2021	RoHS COMPLIANT: Yes	DESCRIPTION:
			M12 4 Pin Female Breakout Board
WINFORD ENGINEERING, LLC 4561 GARFIELD ROAD AUBURN, MI 48611			PART NUMBER (S)
www.winford.com			BRKQAM12A-4F-A
989-671-9721			PART REVISION
			A

4

3

2

1

B

B

A

A