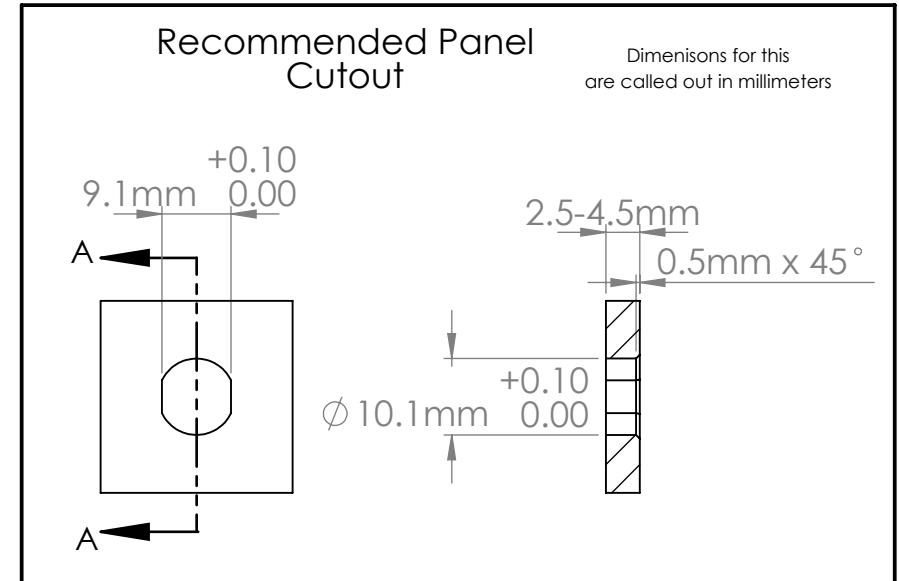
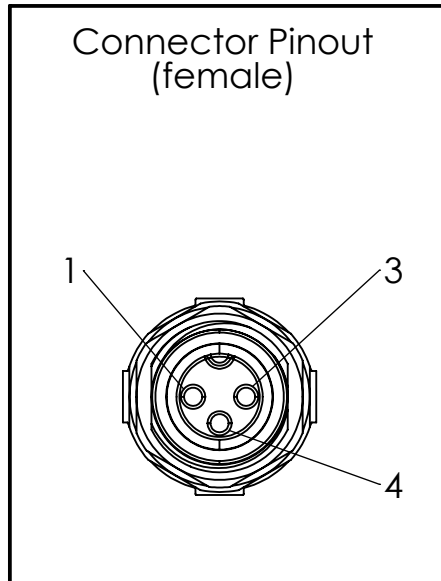
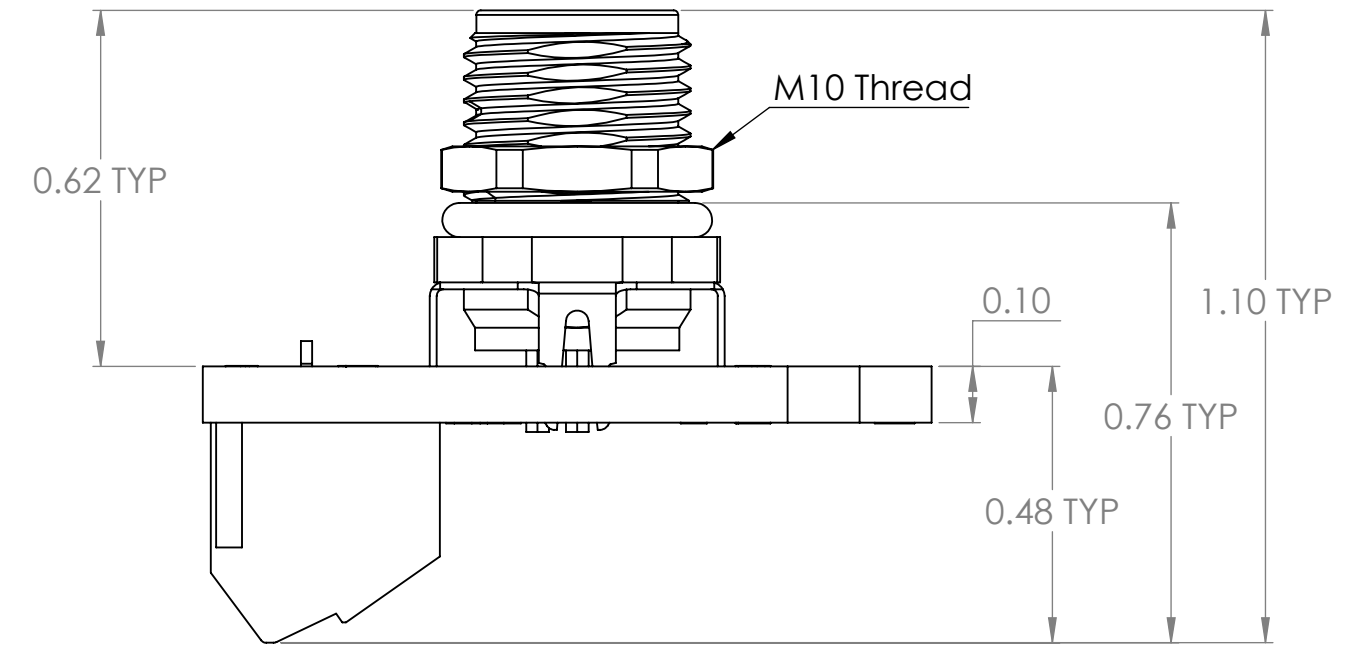
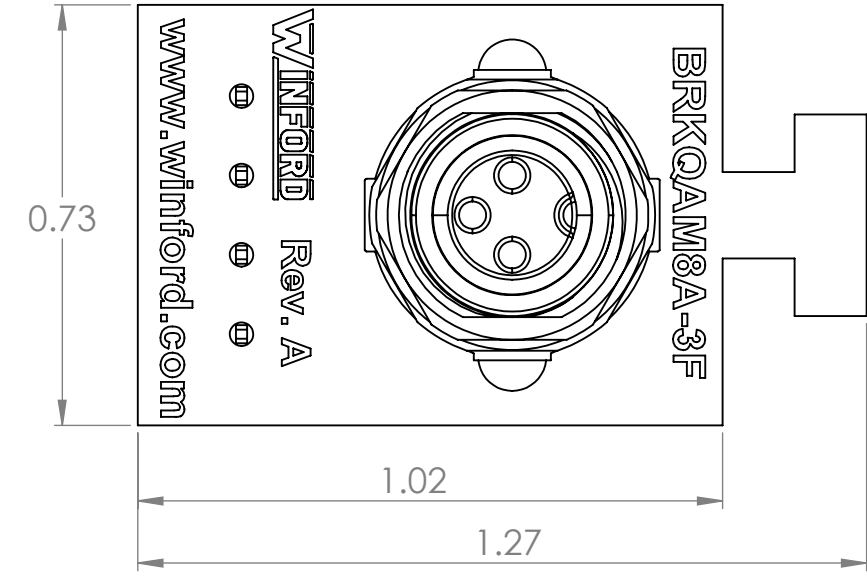
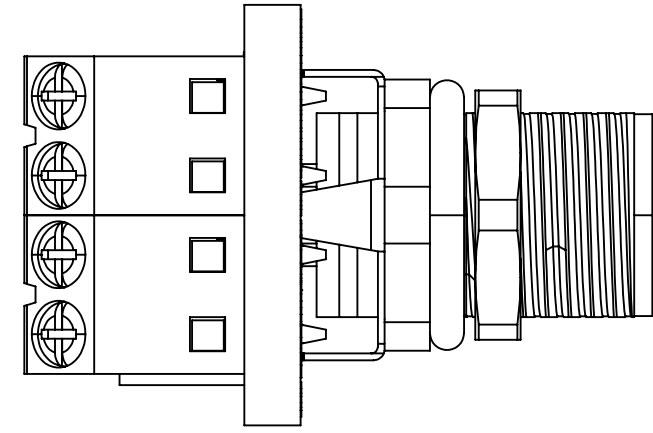
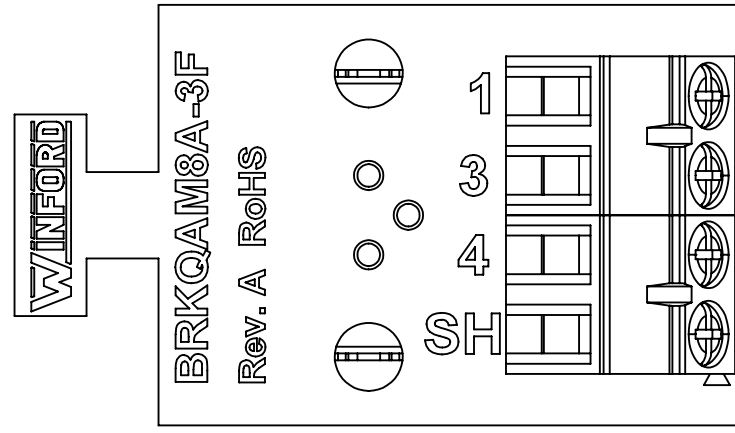


4

3

2

1



DIM: INCH	DATE: 03/23/2021	RoHS COMPLIANT: Yes	DESCRIPTION:
			M8 3 Pin Female Breakout Board
www.winford.com		WINFORD ENGINEERING, LLC 4561 GARFIELD ROAD AUBURN, MI 48611 989-671-9721	PART NUMBER (S) <b>BRKQAM8A-3F-A</b>
			PART REVISION <b>A</b>

4

3

2

1

B

B

A

A