

4

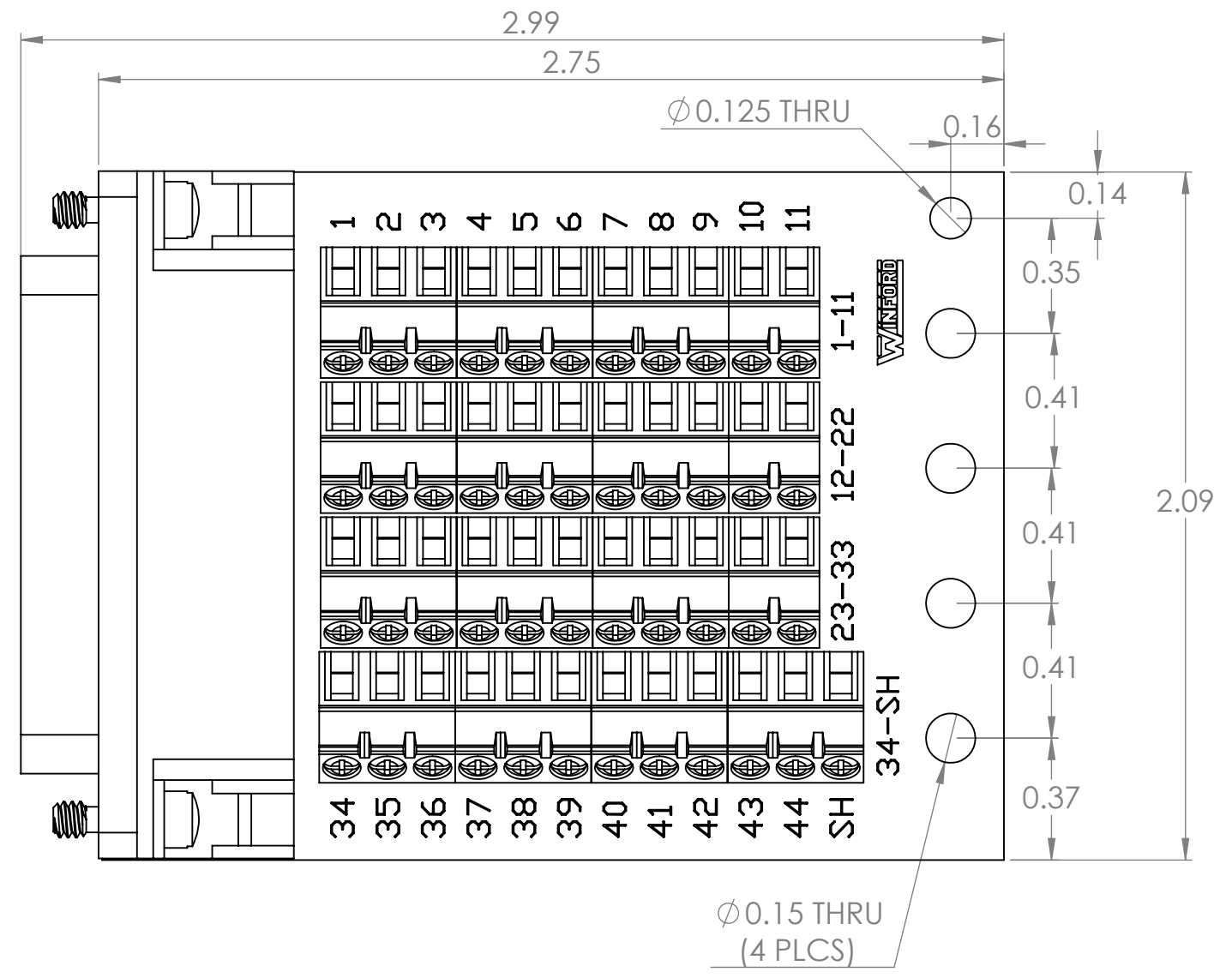
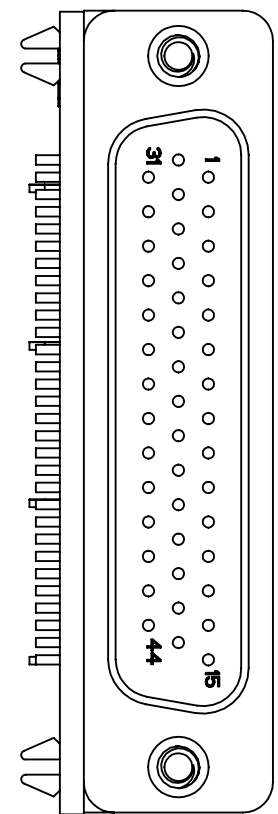
3

2

1

B

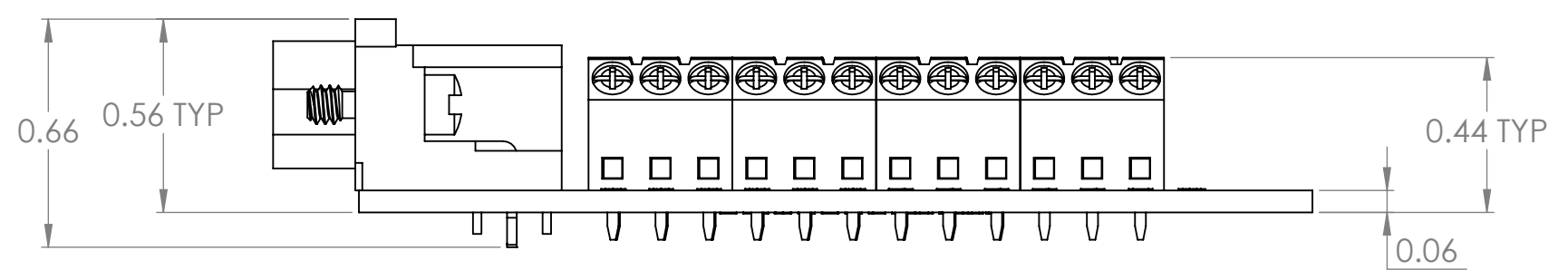
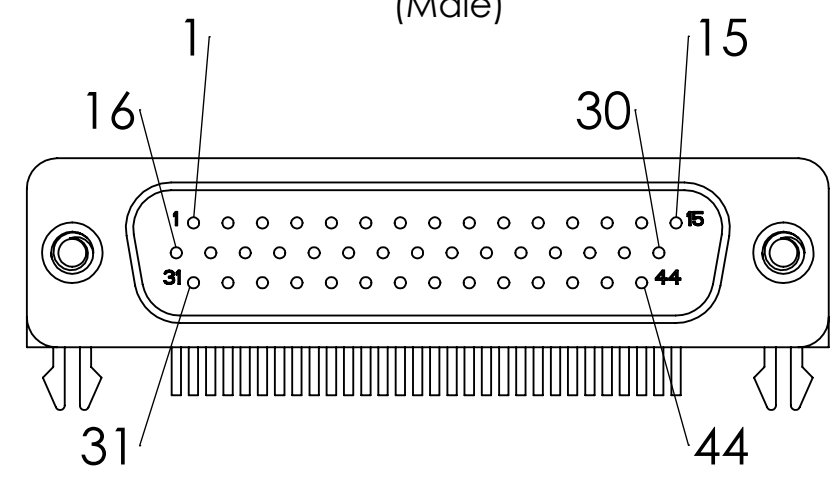
B




A

A

Connector Pinout  
(Male)



DIM: INCH	DATE: 09/24/2021	RoHS COMPLIANT: Yes	DESCRIPTION:
 WINFORD ENGINEERING, LLC 4561 GARFIELD ROAD AUBURN, MI 48611			DB44HD Male Slim Breakout Board
www.winford.com		989-671-9721	PART NUMBER (S) <b>BRKSD44HDMV2-C</b>
			PART REVISION <b>A</b>

4

3

2

1