

4

3

2

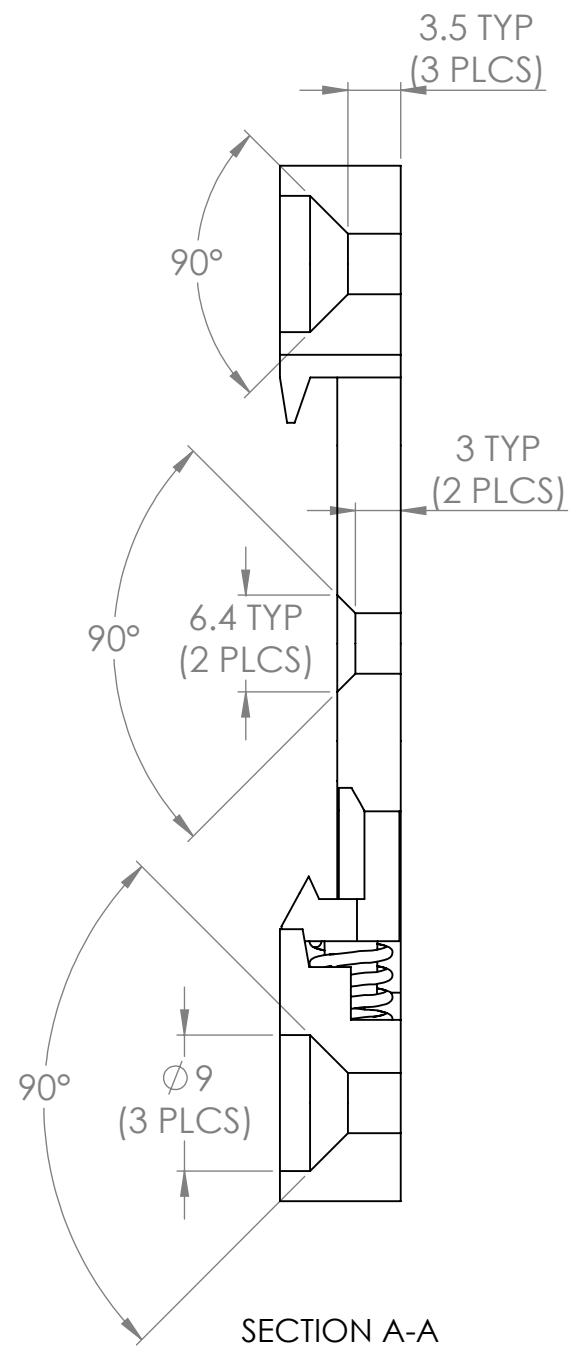
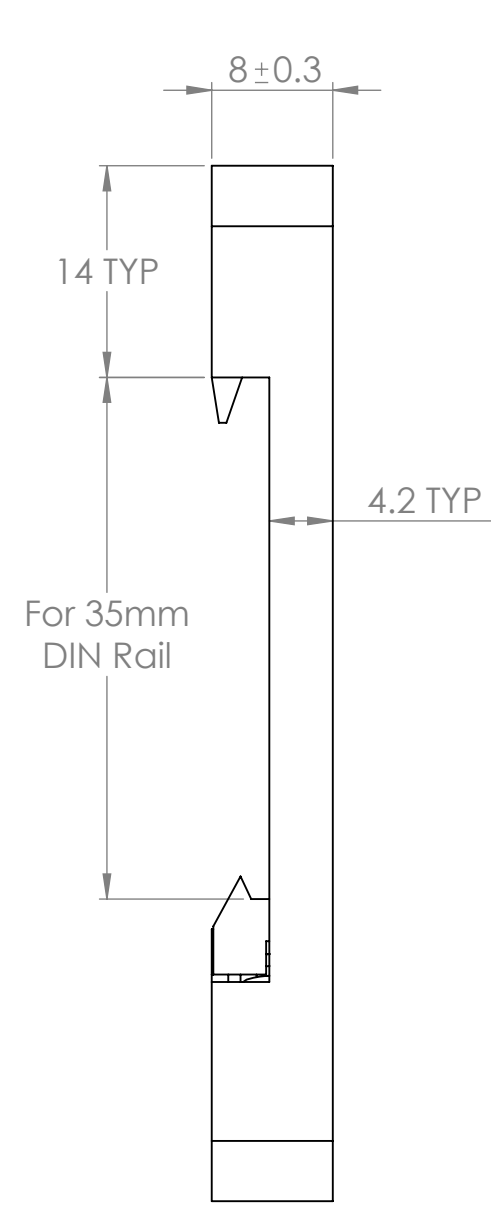
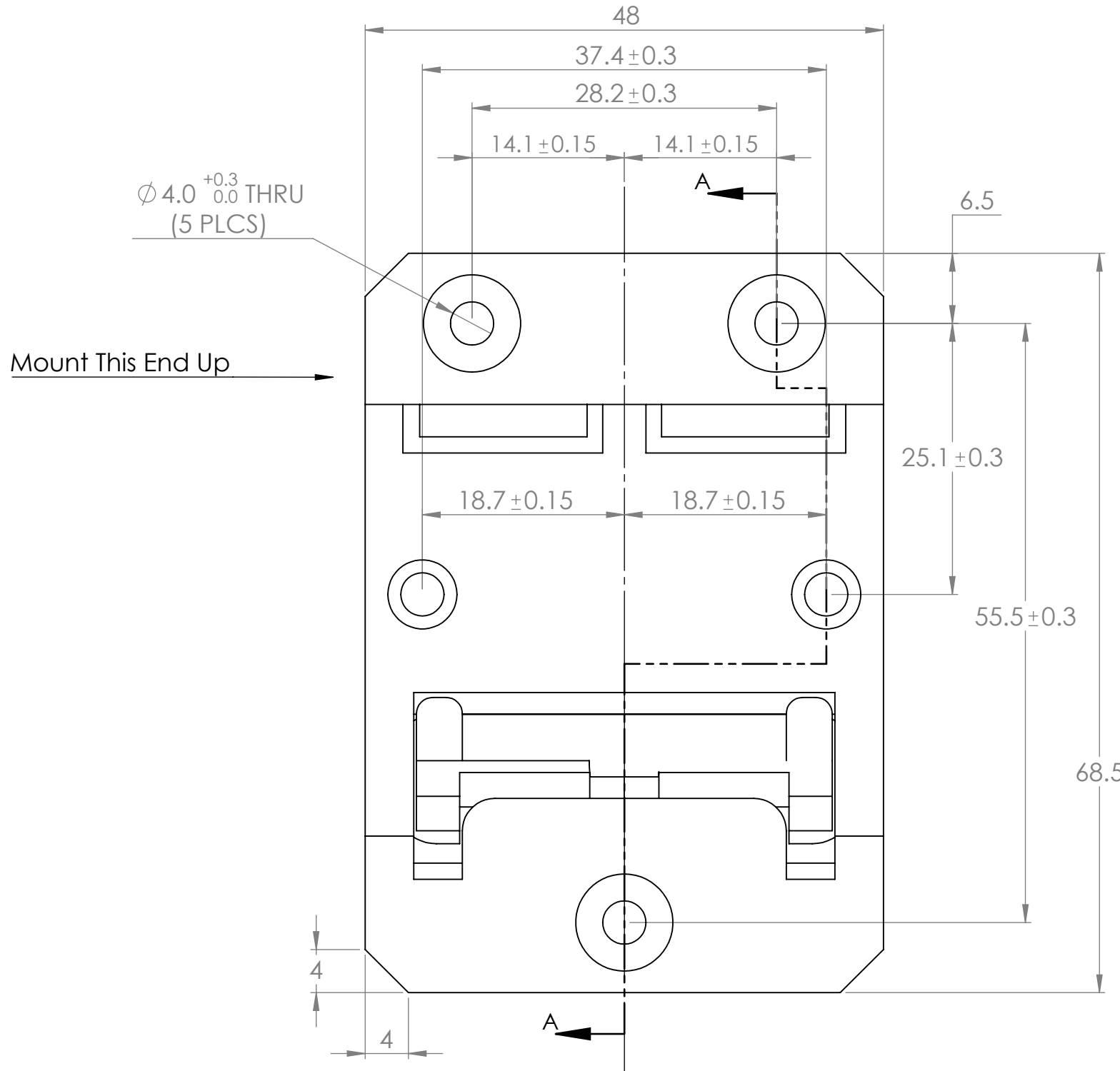
1

B

B

A

A



Clip Material: Fiberglass reinforced nylon 66 (PA66+GF30%)
 Tolerance: ±0.5mm unless otherwise specified. Dimensions labeled "TYP" are not toleranced.

7/15/22	Added hole diameter tolerance; added section view
8/23/19	Added additional tolerance information.
7/25/19	Added hole-hole distance tolerances.
Date	

DIM: MM	DATE: 07/15/22	RoHS COMPLIANT: Yes
WINFORD		
WINFORD ENGINEERING, LLC 4561 GARFIELD ROAD AUBURN, MI 48611		
www.winford.com	989-671-9721	

DESCRIPTION:	
DIN Rail Mounting Clip, 48mm Width	
PART NUMBER (S)	PART REVISION
DINM15V2-RC	A

4

3

2

1