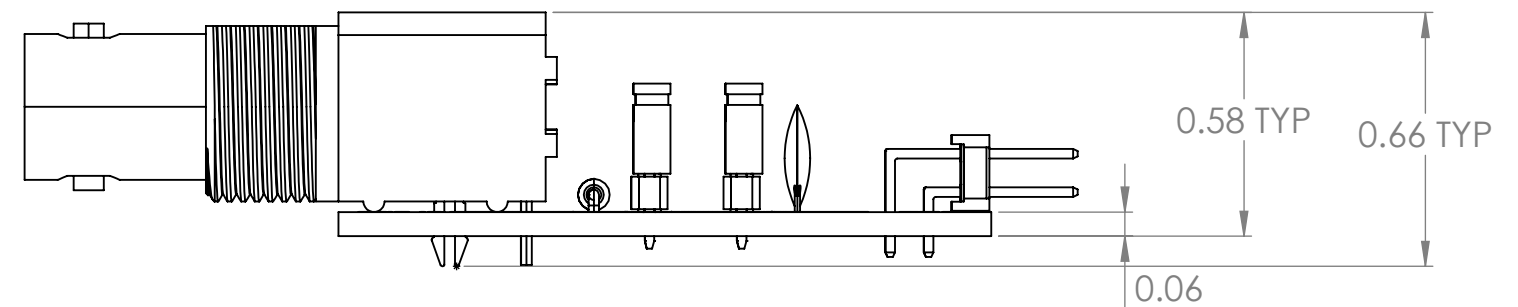
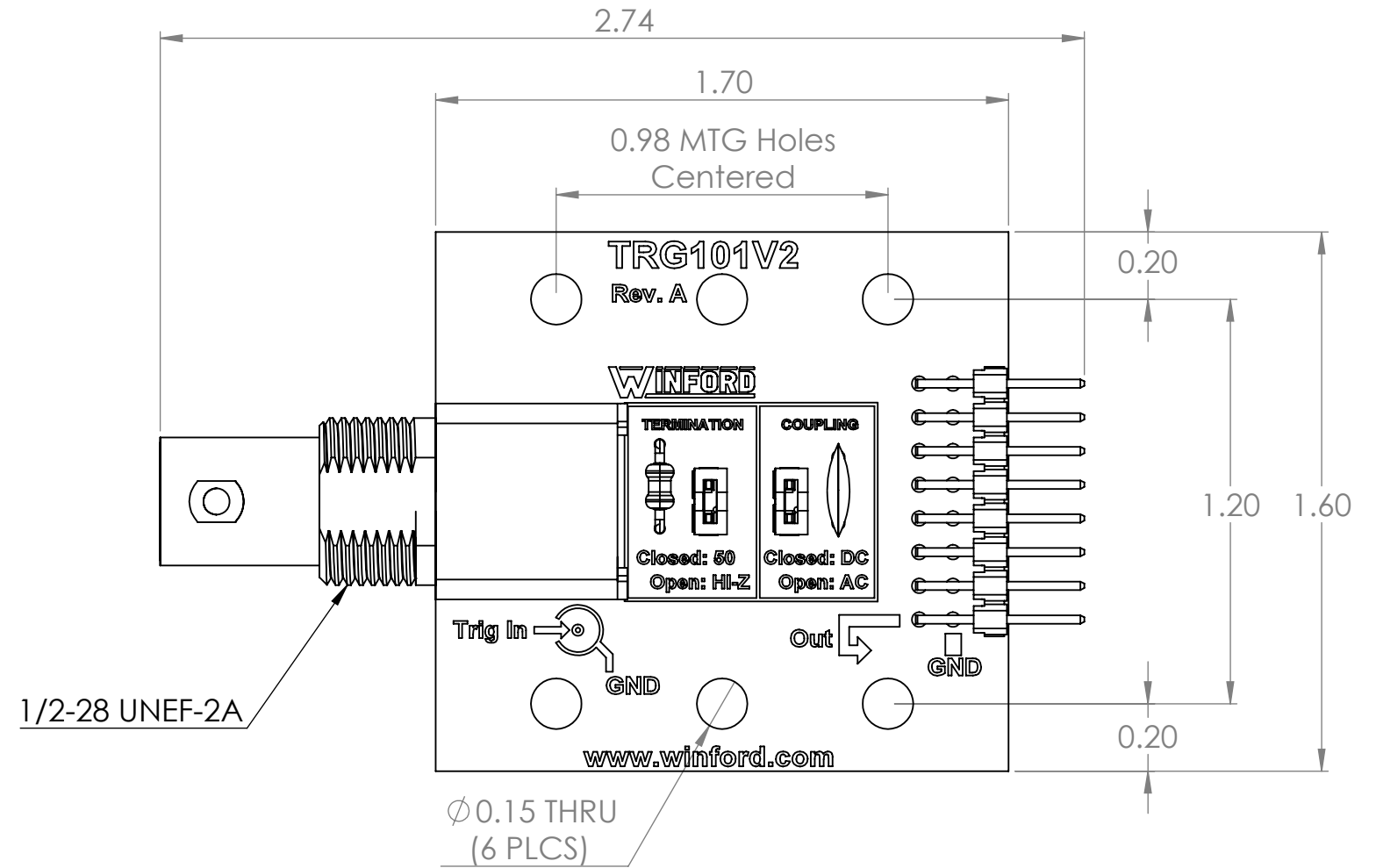
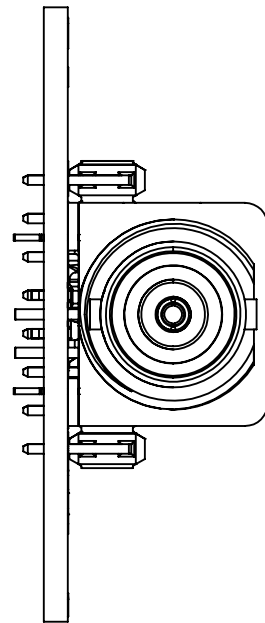
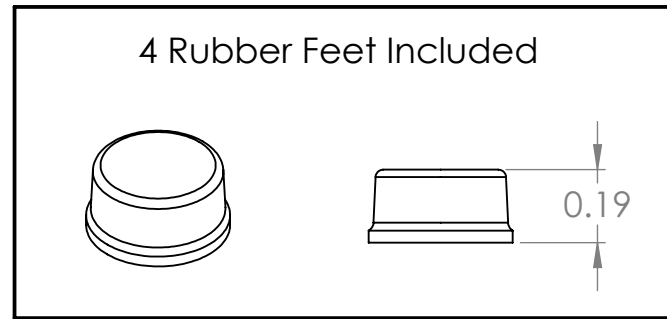


4

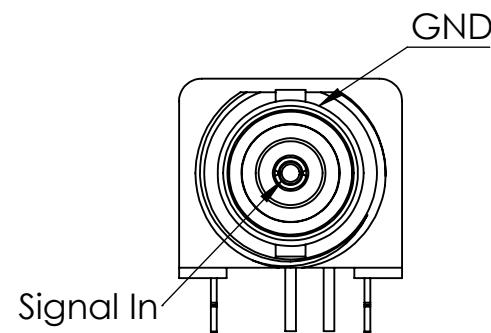
3

2

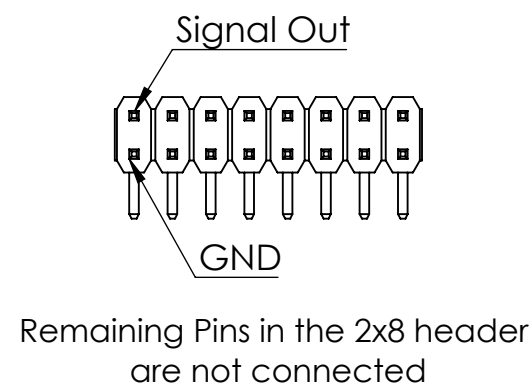
1



Connector Pinout (BNC)



Connector Pinout (2x8 Pin Header)



DIM: INCH	DATE: 07/29/2022	RoHS COMPLIANT: Yes	DESCRIPTION:
			Trigger Interface Board, BNC to Header
www.winford.com		WINFORD ENGINEERING, LLC 4561 GARFIELD ROAD AUBURN, MI 48611 989-671-9721	PART NUMBER (S) <b>TRG101V2-FT</b>
			PART REVISION <b>A</b>

4

3

2

1

B

A