

4

3

2

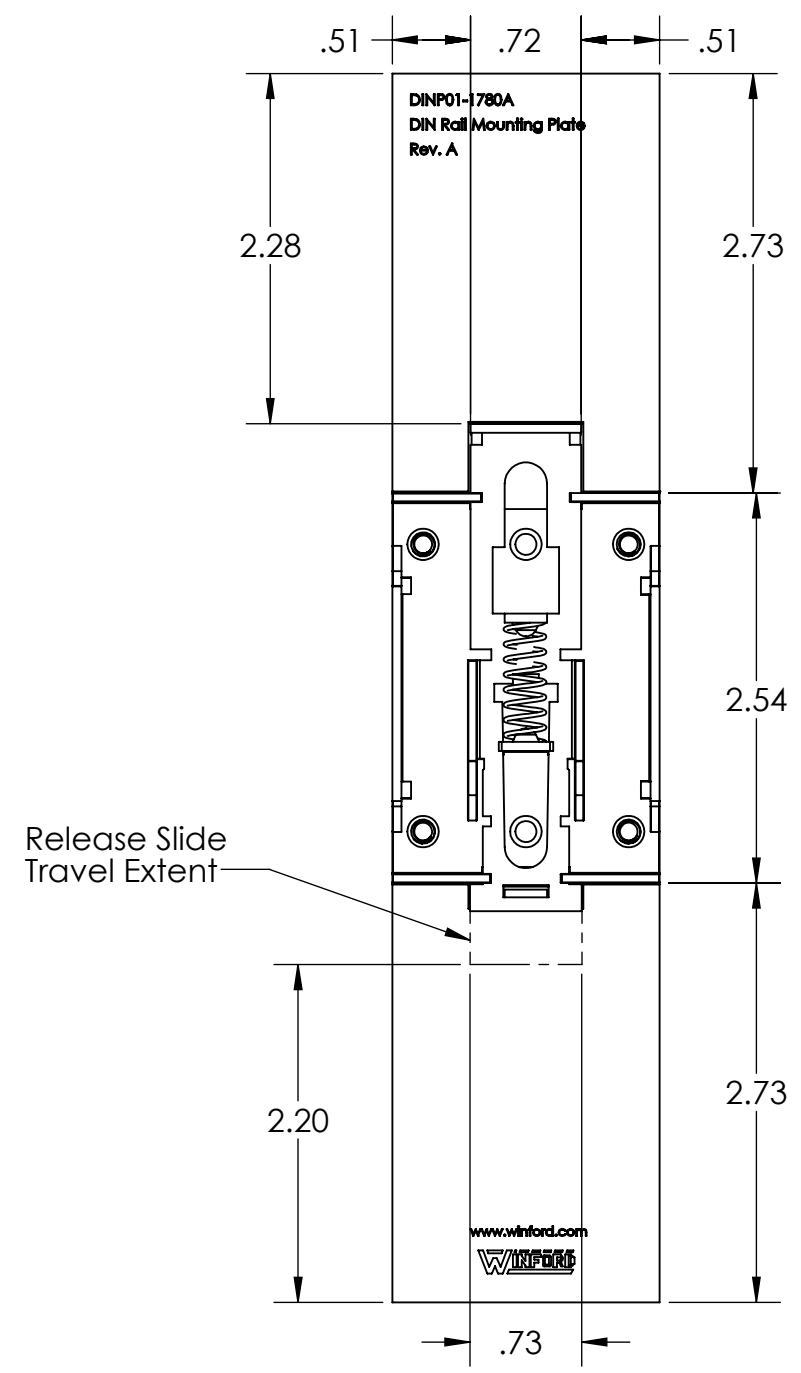
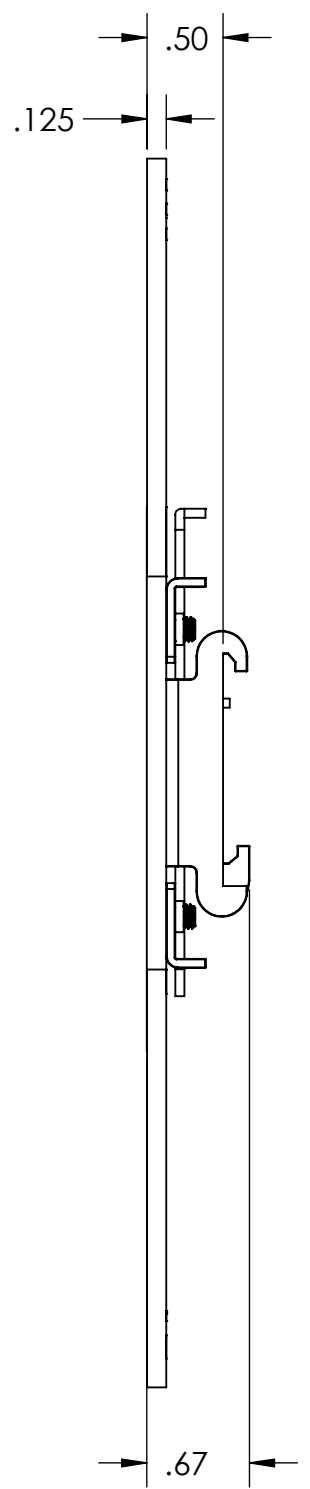
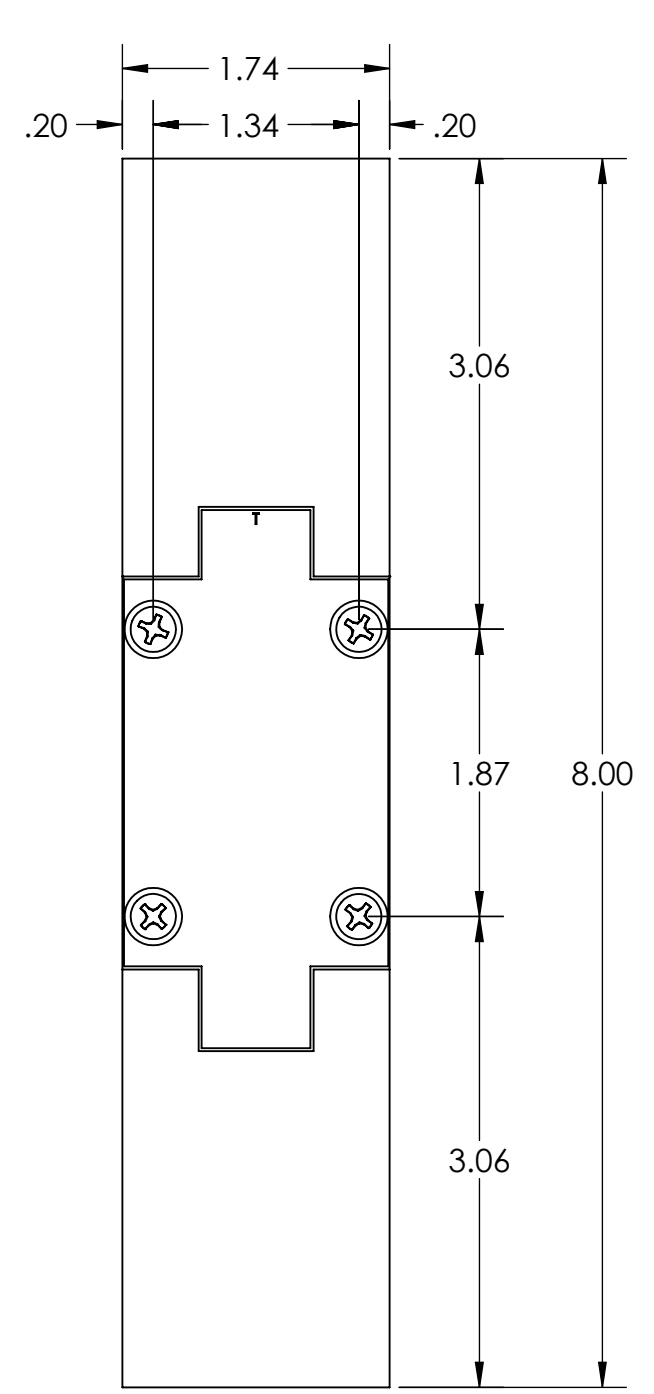
1


B

B

A

A



DIM: INCH	DATE: 04/21/2020	RoHS COMPLIANT: YES	DESCRIPTION:
 WINFORD ENGINEERING, LLC 4561 GARFIELD ROAD AUBURN, MI 48611			DIN Mounting Plate 1.74" X 8"
www.winford.com		989-671-9721	PART NUMBER (S)
			DINP01-1780A
			PART REVISION
			A

4

3

2

1