

4

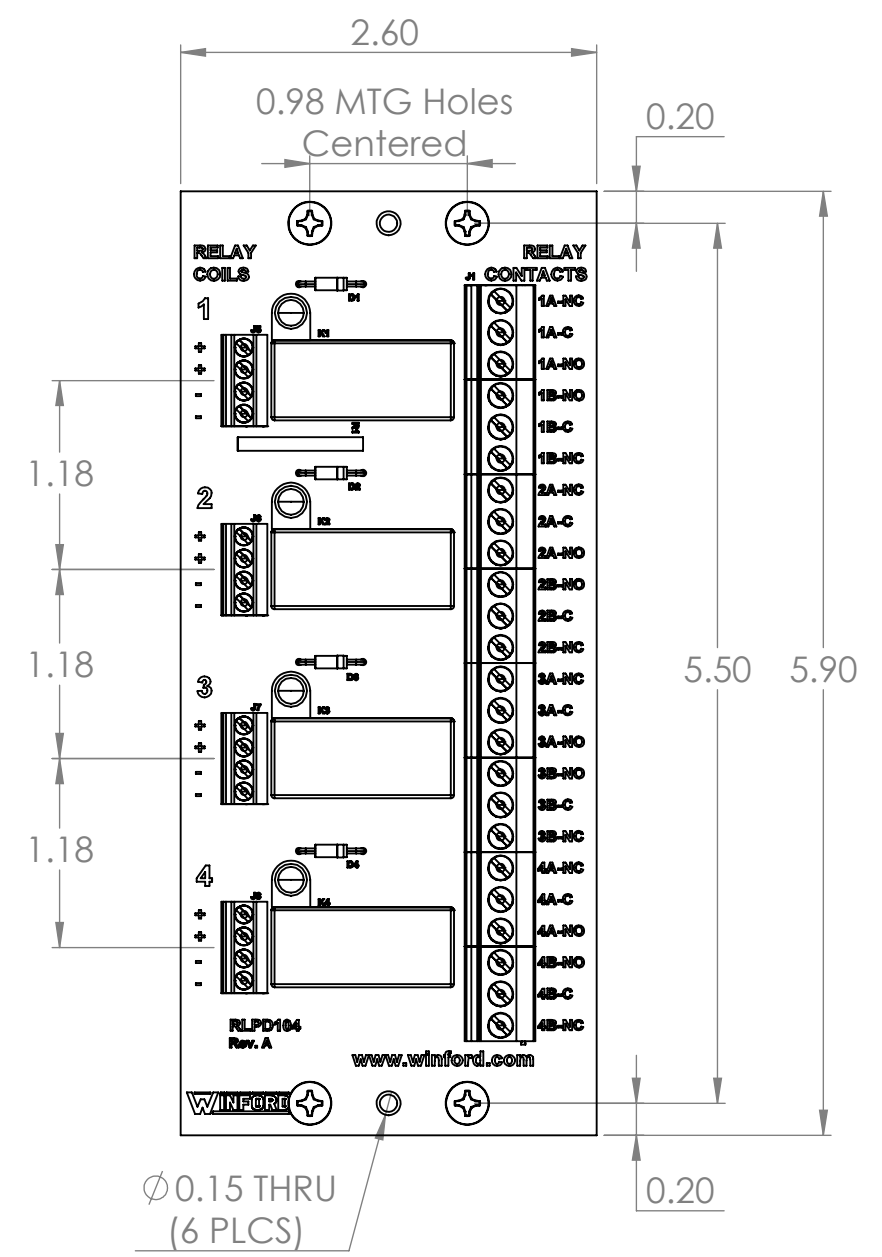
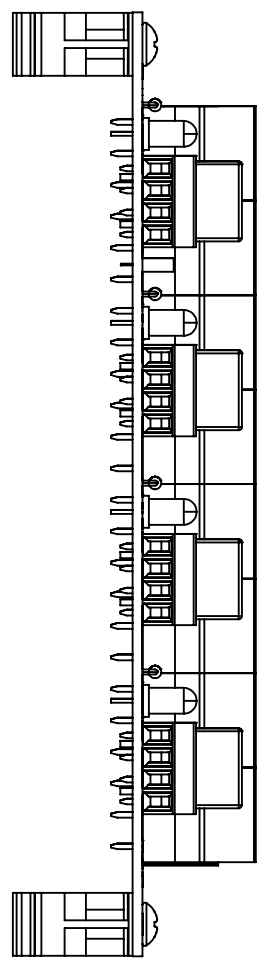
3

2

1

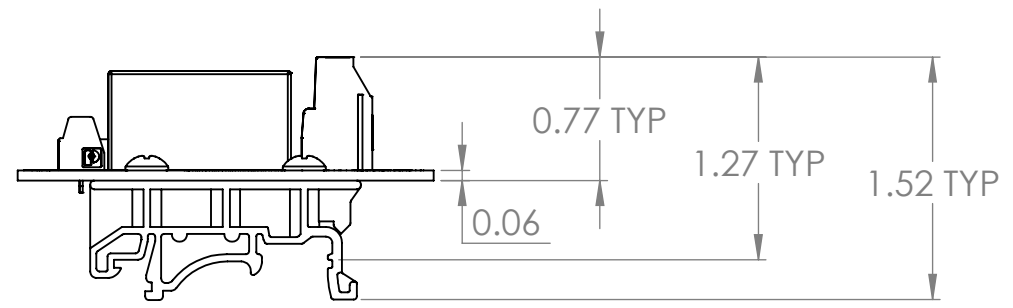
B


B



A

A



DIM: INCH	DATE: 08/03/2022	RoHS COMPLIANT: Yes	DESCRIPTION:
 WINFORD ENGINEERING, LLC 4561 GARFIELD ROAD AUBURN, MI 48611			4-Channel DPDT Relay Board
www.winford.com		989-671-9721	PART NUMBER (S) RLPD104-xxV-DIN
			PART REVISION A

4

3

2

1