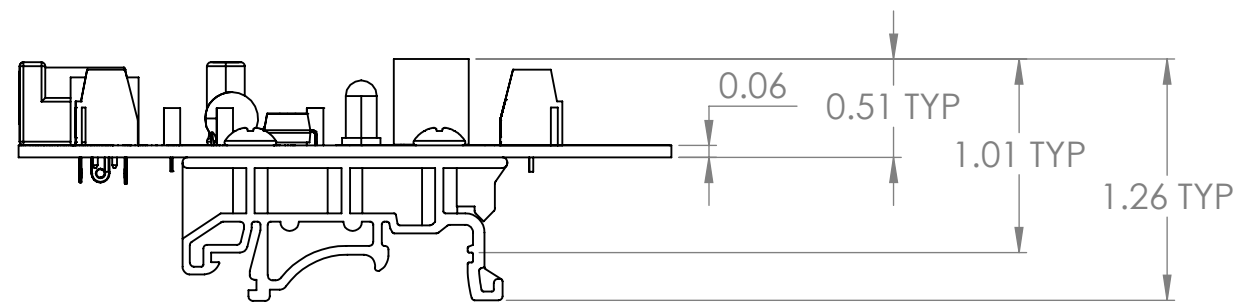
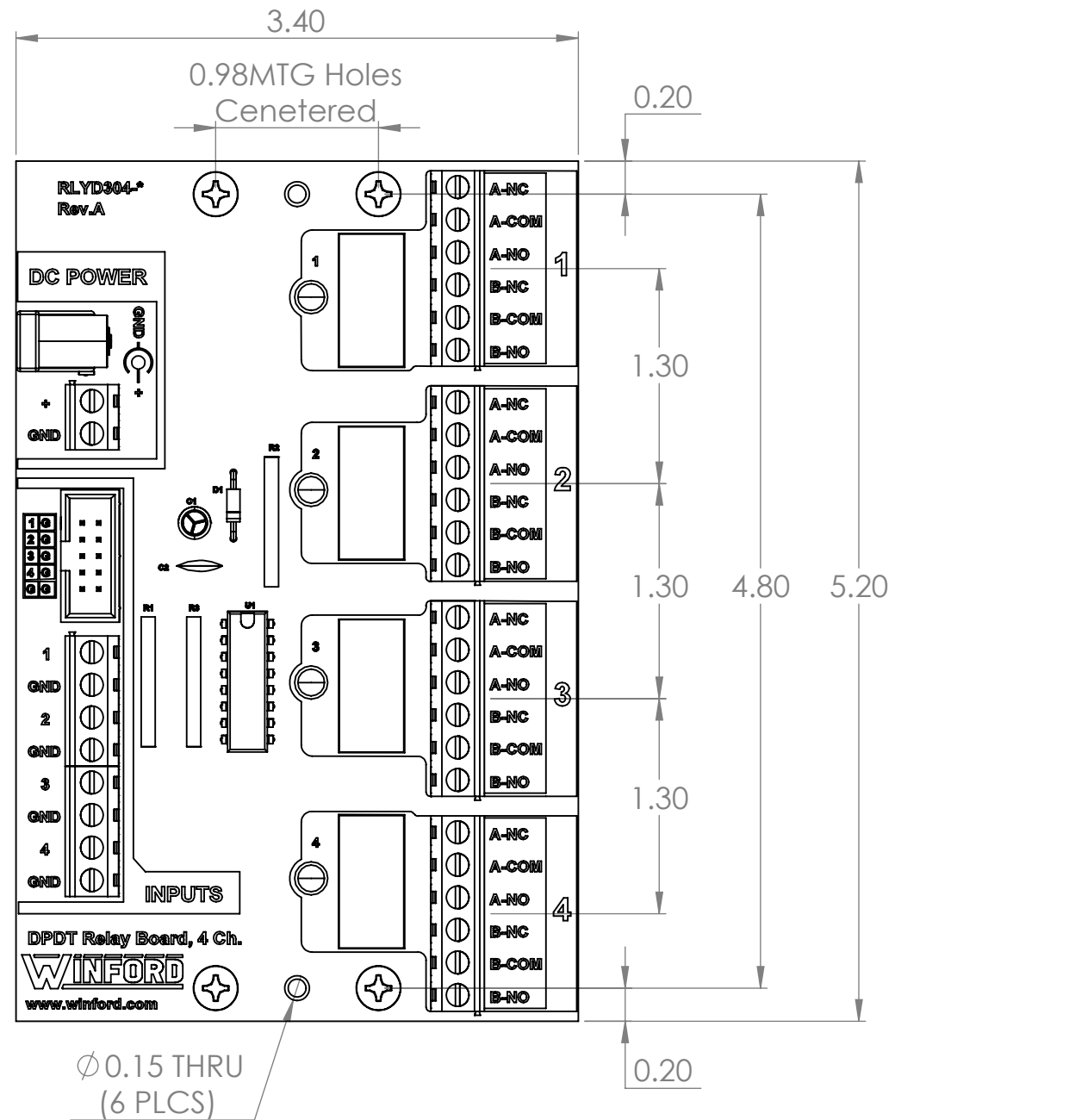
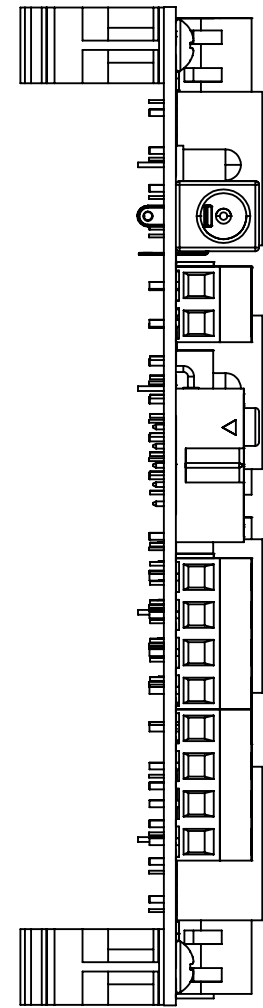



4

3

2

1



DIM: INCH	DATE: 08/09/2022	RoHS COMPLIANT: Yes	DESCRIPTION: Small Signal 4-Channel DPDT Relay Board
		WINFORD ENGINEERING, LLC 4561 GARFIELD ROAD AUBURN, MI 48611	PART NUMBER (S) RLYD304-xxV-DIN
www.winford.com		989-671-9721	PART REVISION A

4

3

2

1

B

B

A

A