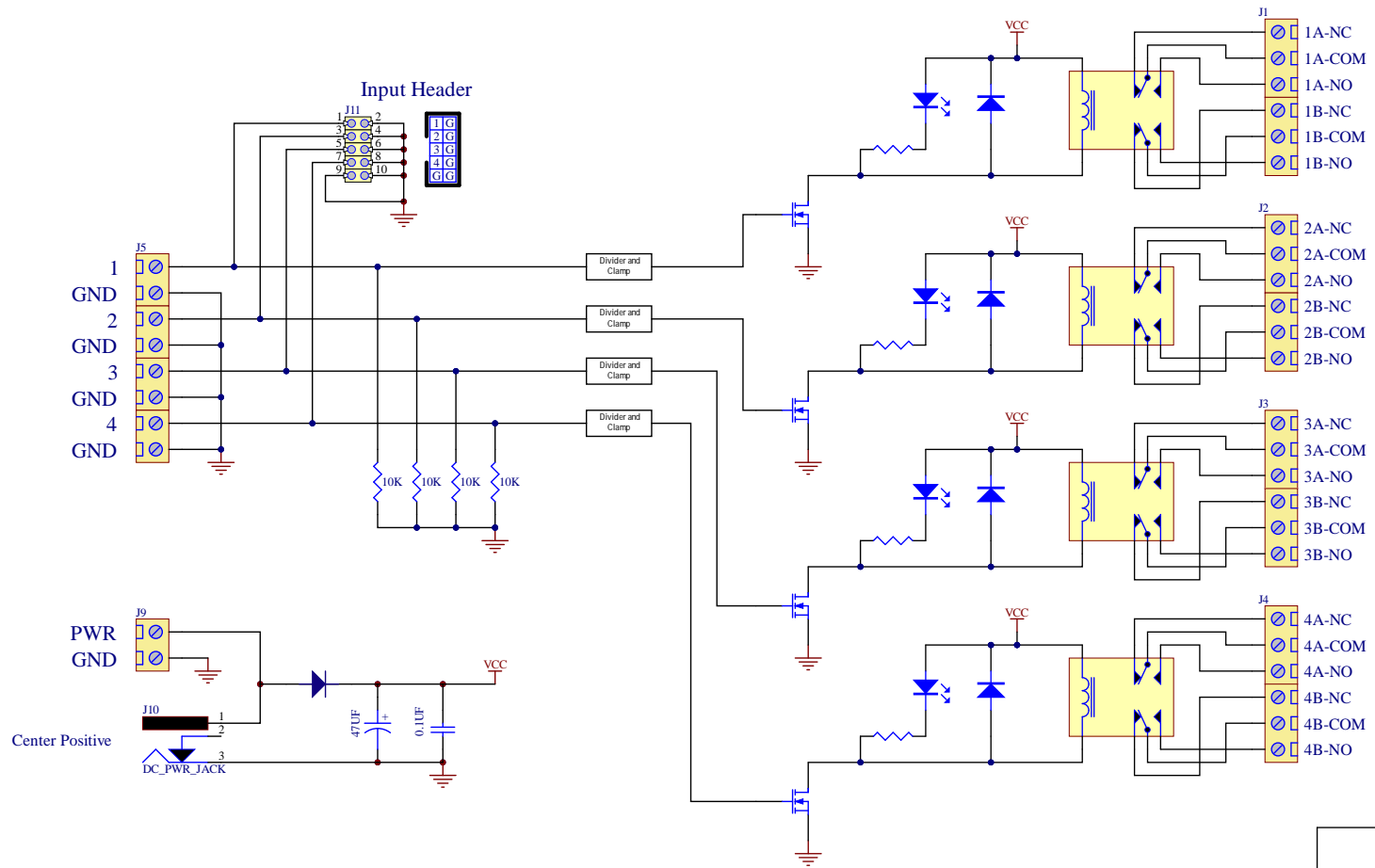


RLYD304 Schematic

(This schematic accurately represents the circuit, but some individual components are combined in a single package on the product PCB)



RLYD304
4-RELAY BOARD, DPDT
WINFORD ENGINEERING
www.winford.com